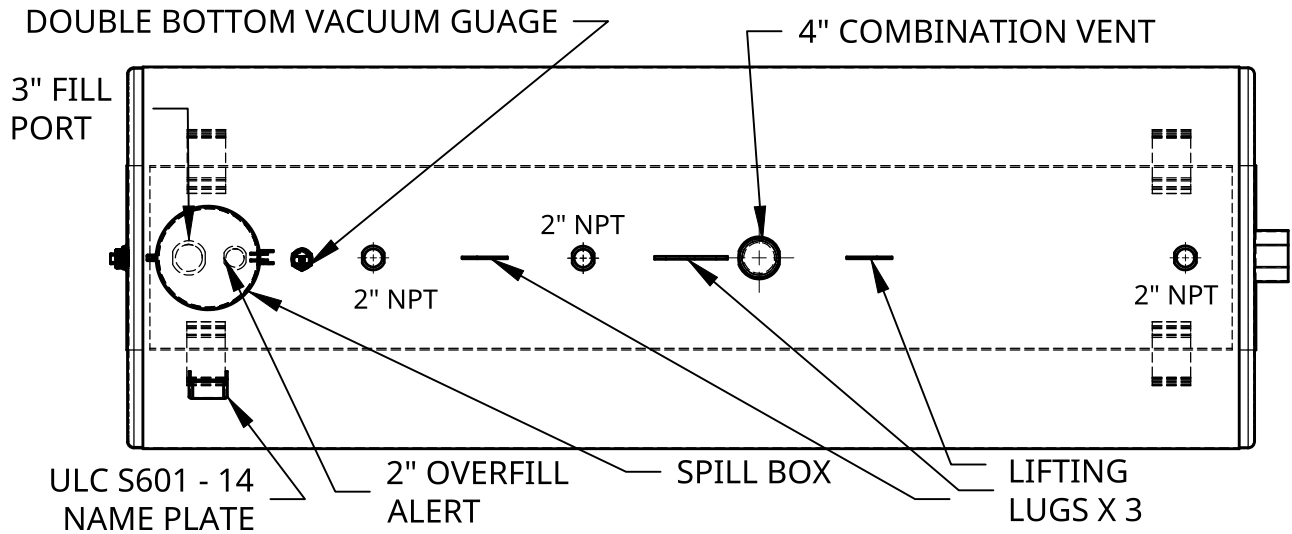
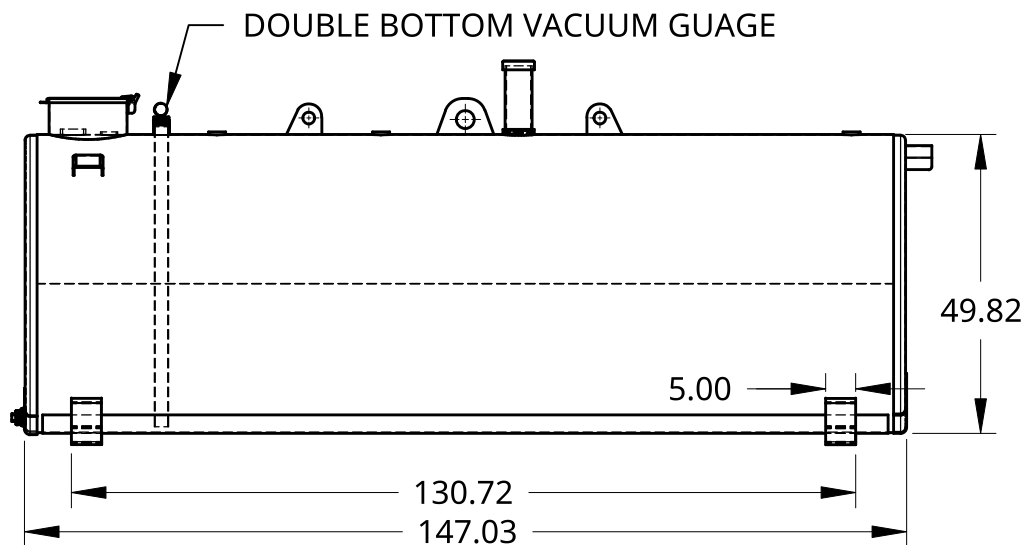


FRONT VIEW



TOP VIEW



SIDE VIEW

*MATERIAL : CARBON
STEEL A1011 0.104"
(2.64MM)*

ALL DIMENSIONS ARE IN INCHES
TOLERANCES ±0.1 - ±0.5 IN.

TITLE			
1000 GAL DOUBLE BOTTOM TANK 4500 LITER			
SIZE	DWG NO.	REV.	
A			
SCALE	WEIGHT	SHEET	
	1020 LBS	1 of 1	

