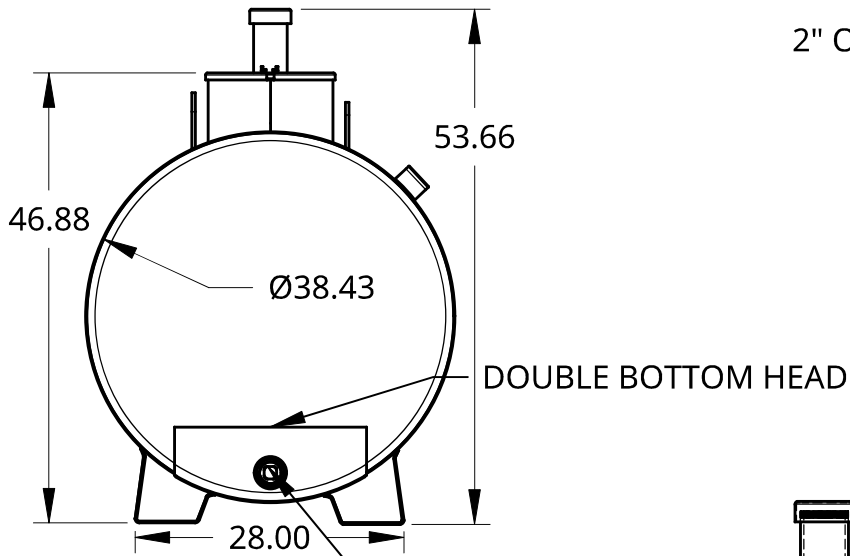


2

1



**FRONT VIEW**

2" OVERFILL ALERT

3" FILL PORT

LIFTING LUG

2" NPT FITTINGS

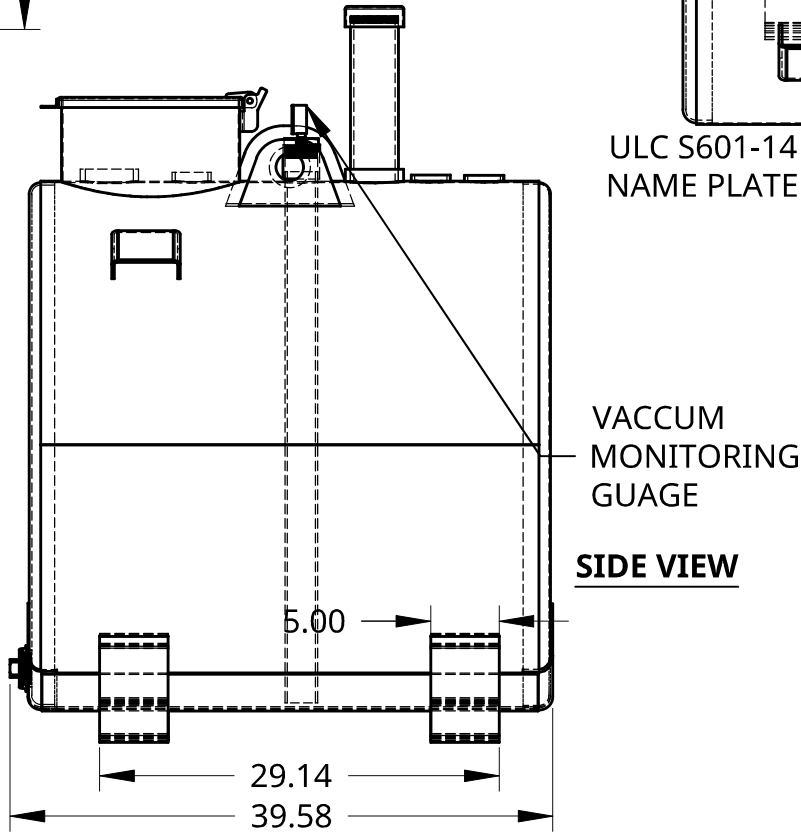
LIFTING LUG

ULC S601-14 NAME PLATE

FILL / DIP SITE

3" COMBINATION VENT

**TOP VIEW**



**SIDE VIEW**

*MATERIAL : CARBON STEEL  
A1011 0.104" (2.64MM)*

ALL DIMENSIONS ARE IN INCHES  
TOLERANCES ±0.1 - ±0.5 IN.

TITLE			
<b>150 GAL DOUBLE BOTTOM TANK 670 LITRE</b>			
SIZE	DWG NO.	REV.	
A			
SCALE	WEIGHT	SHEET	
	295 lbs	1 of 2	



2

1

B

B

A

A