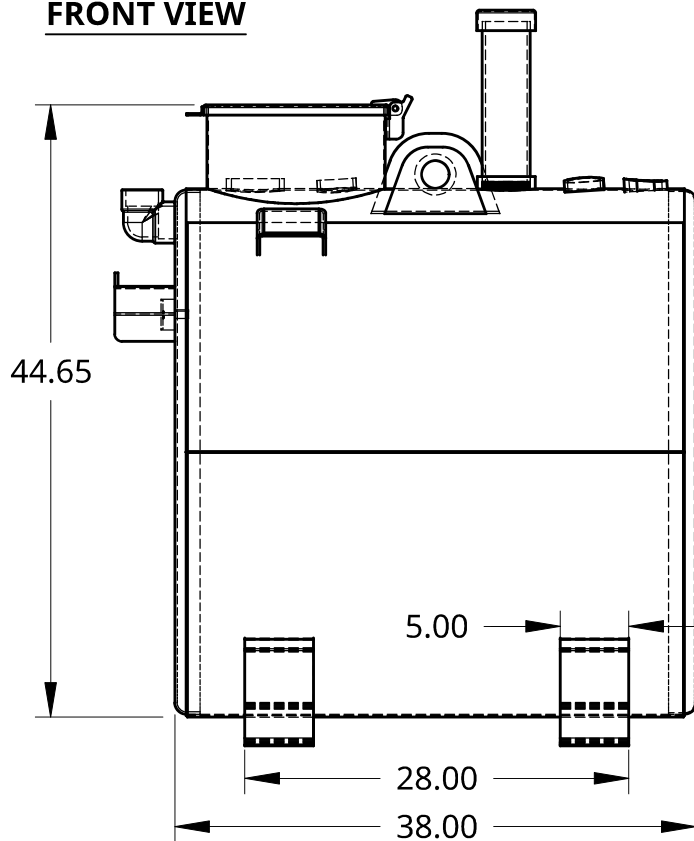
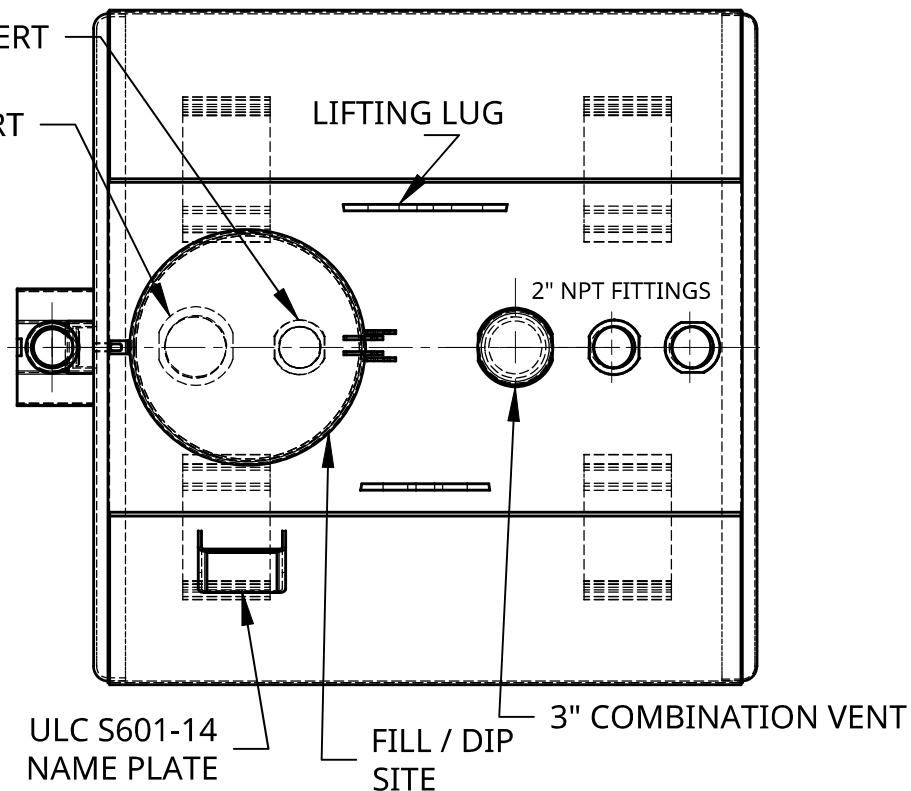


FRONT VIEW



SIDE VIEW



TOP VIEW

*MATERIAL : CARBON STEEL
A1011 0.104" (2.64MM)*

ALL DIMENSIONS ARE IN INCHES
TOLERANCES $\pm 0.1 - \pm 0.5$ IN.

TITLE			
150 GAL DOUBLE WALL TANK 670 LITRE			
SIZE	DWG NO.	REV.	
A			
SCALE	WEIGHT	SHEET	
	370 lbs	1 of 2	

