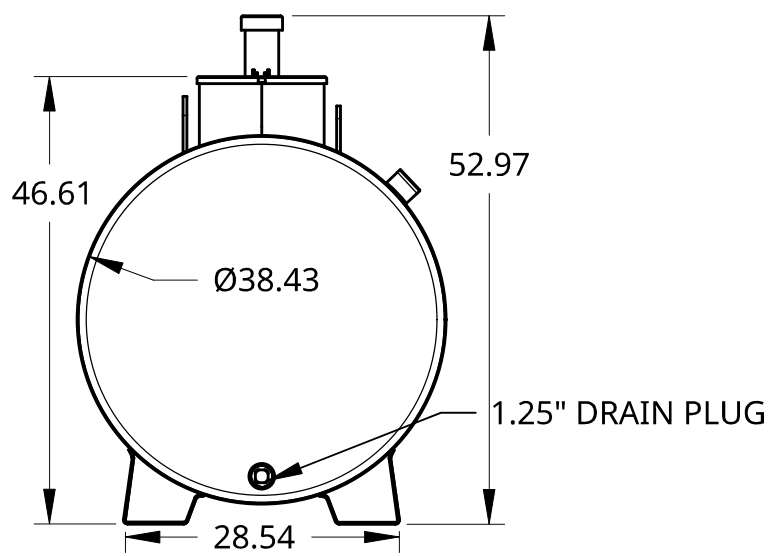
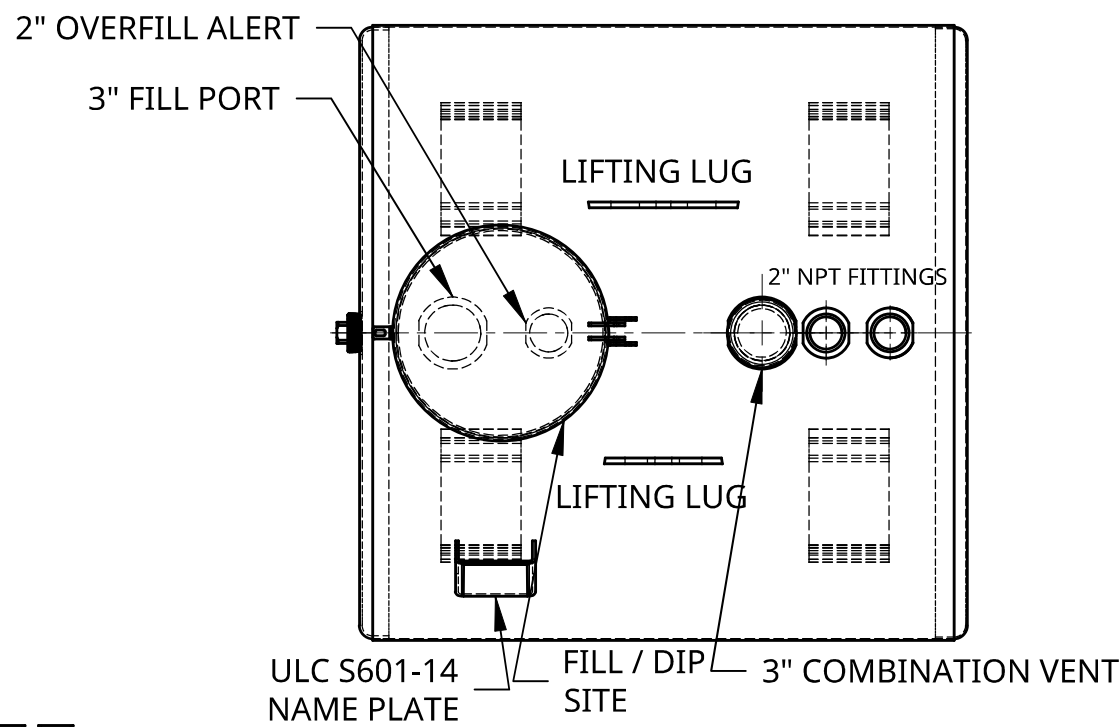


2

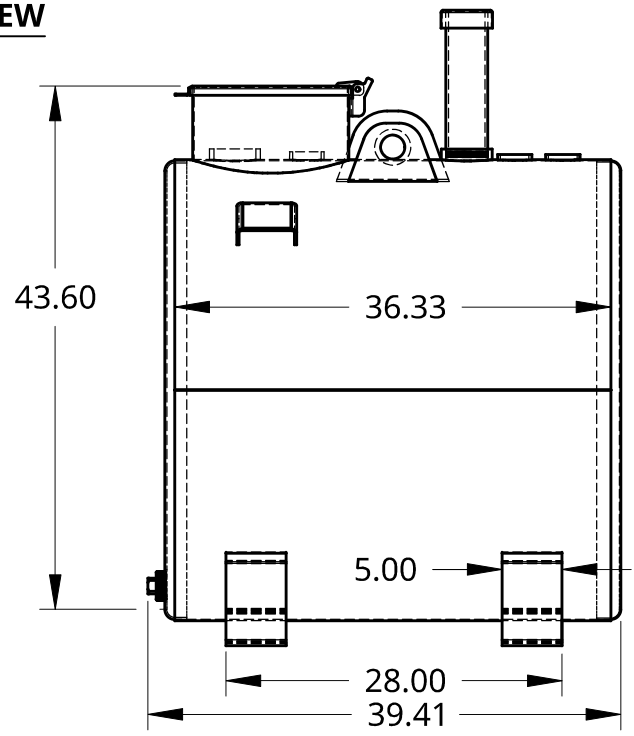
1



FRONT VIEW



TOP VIEW



SIDE VIEW

*MATERIAL : CARBON STEEL
A1011 0.104" (2.64MM)*

ALL DIMENSIONS ARE IN INCHES
TOLERANCES ±0.1 - ±0.5 IN.

| | | | |
|---|----------------|--------|--|
| TITLE | | | |
| 150 GAL SINGLE WALL TANK 670 LITRE | | | |
| SIZE | DWG NO. | REV. | |
| A | | | |
| SCALE | WEIGHT | SHEET | |
| | 250 lbs | 1 of 2 | |



2

1

B

B

A

A