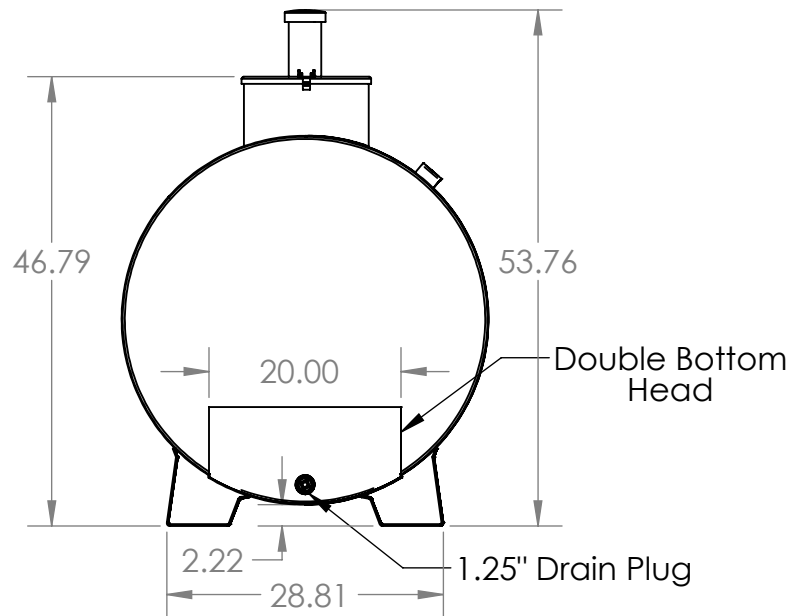
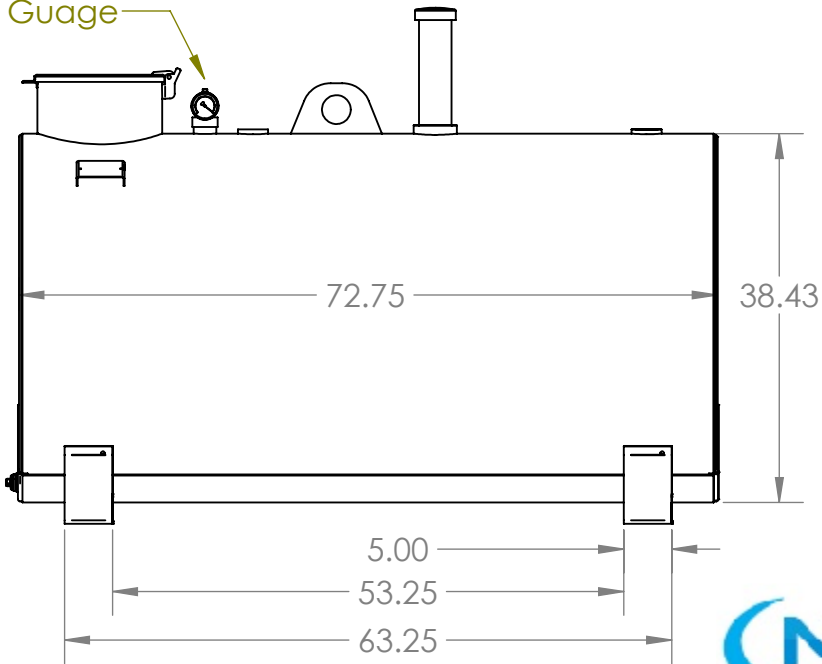


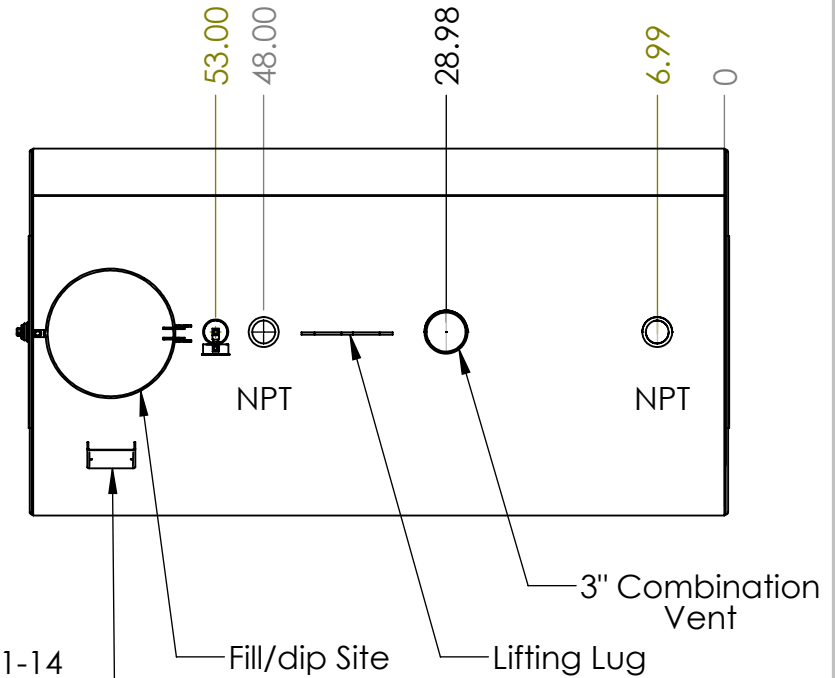
B



Vacuum Monitoring Guage



1



B

A



All Dimensions Are In Inches

TITLE:

1350 Liter
Double Bottom Tank

SIZE

Weight:

A

446 LBS

REV

SCALE: 1:32

SHEET 1 OF 2

2

1

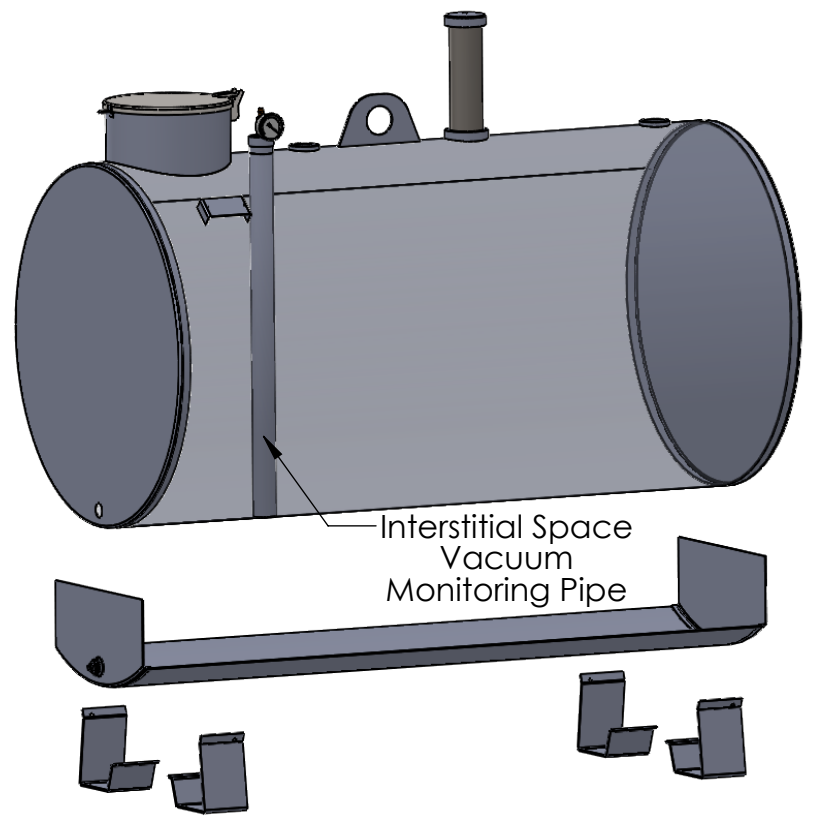
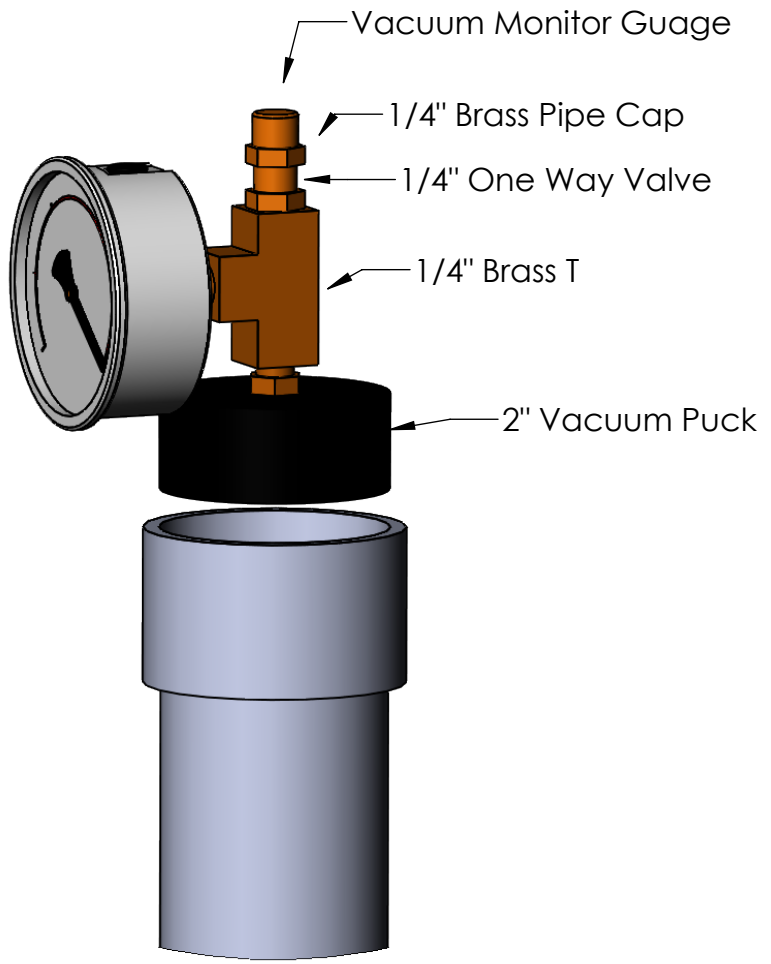
A

2

1

B

B



A

A



TITLE:	Exploded Veiw	
SCALE: 1:32	WEIGHT:	SHEET 2 OF 2

2

1