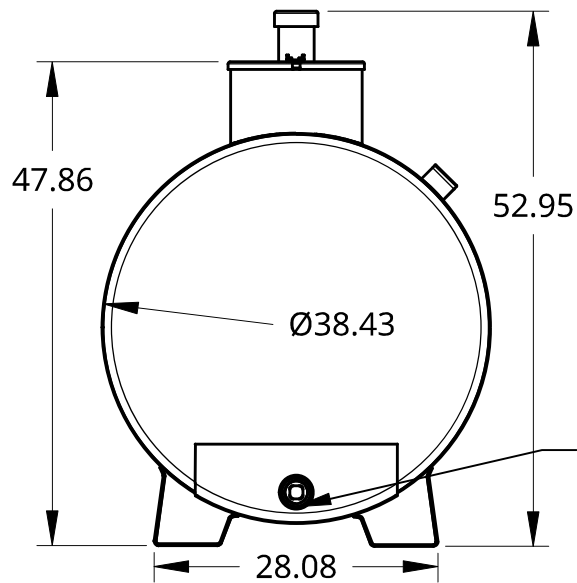
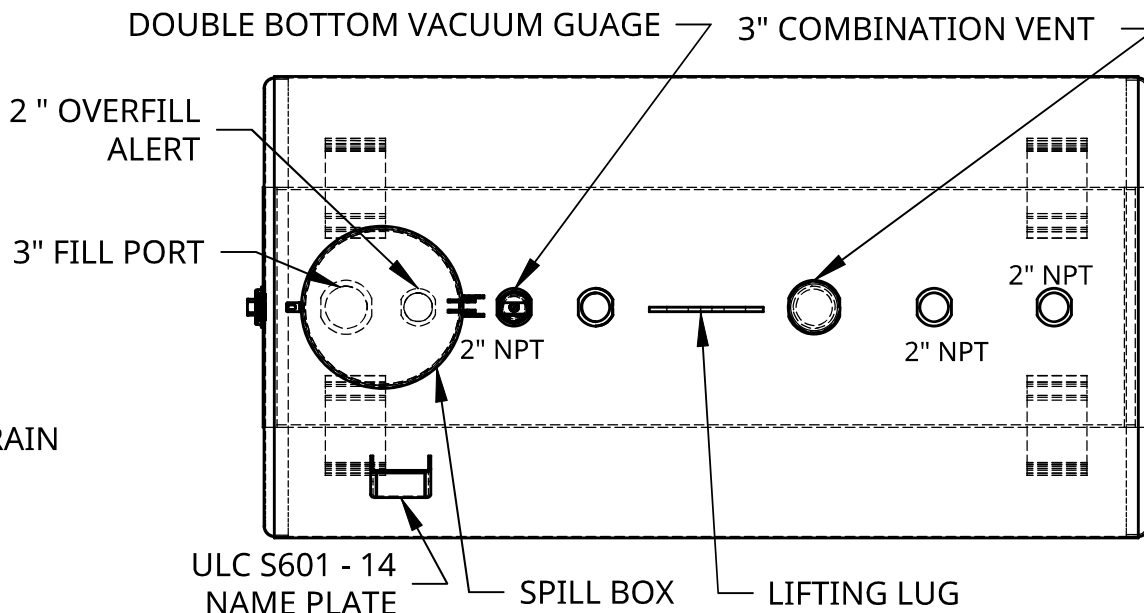


2

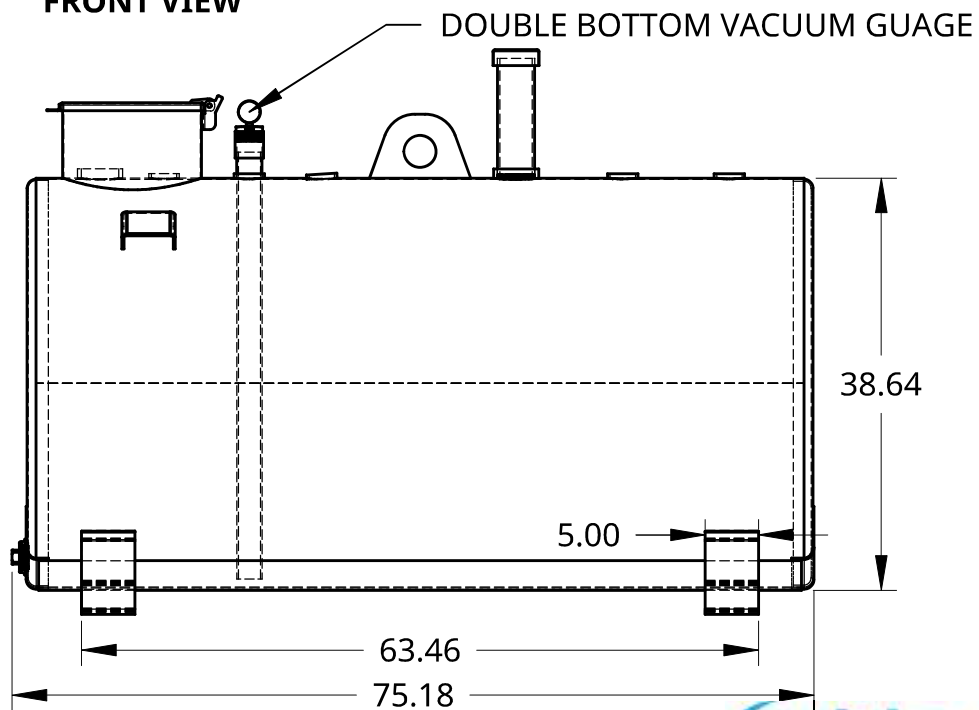
1



FRONT VIEW



TOP VIEW



SIDE VIEW

MATERIAL : CARBON STEEL  
A1011 0.104" (2.64MM)

ALL DIMENSIONS ARE IN INCHES  
TOLERANCES ±0.1 - ±0.5 IN.

TITLE  
**300 GAL DOUBLE BOTTOM TANK**  
**1340 LITER**

SIZE <b>A</b>	DWG NO.	REV.
SCALE	WEIGHT <b>446 LBS</b>	SHEET <b>1 of 2</b>



2

1

B

B

A

A