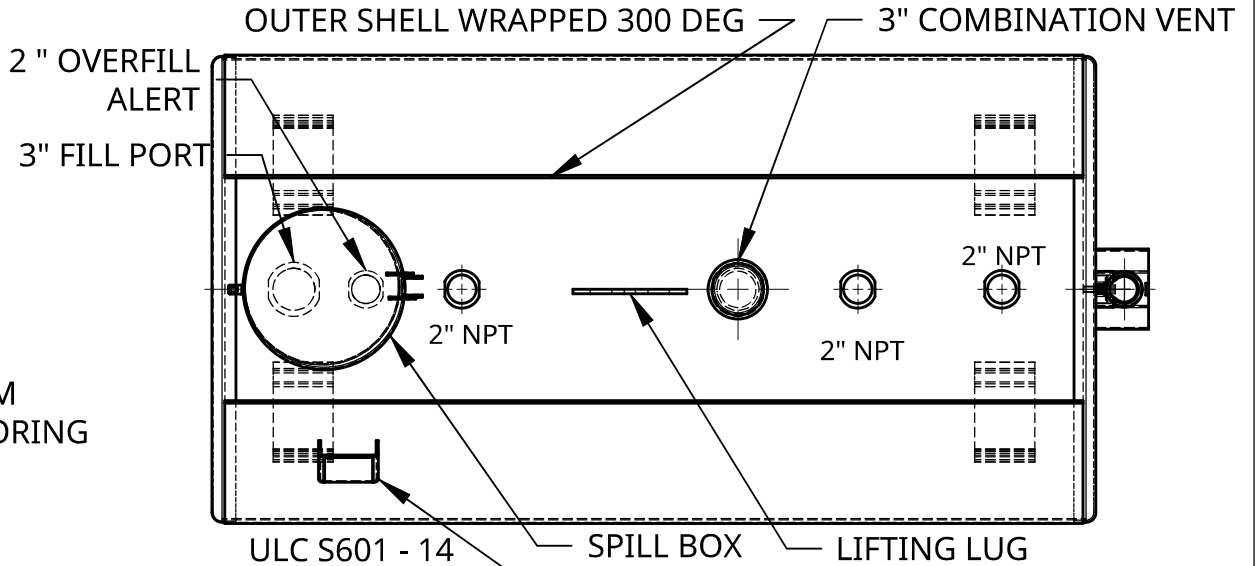
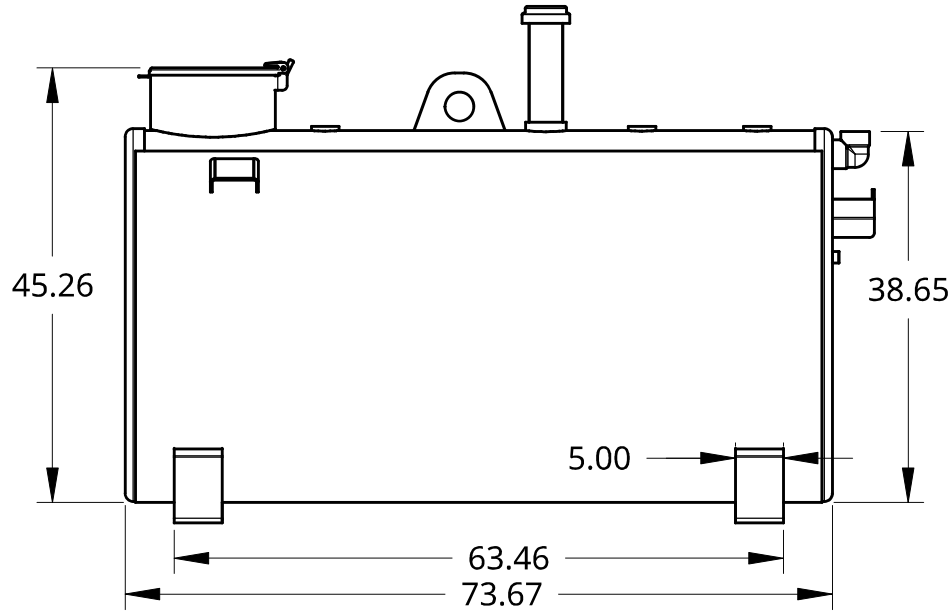


**FRONT VIEW**



**TOP VIEW**



**SIDE VIEW**

*MATERIAL : CARBON STEEL  
A1011 0.104" (2.64MM)*

**ALL DIMENSIONS ARE IN INCHES  
TOLERANCES ±0.1 – ±0.5 IN.**

TITLE			
<b>300 GAL DOUBLE WALL TANK 1340 LITER</b>			
SIZE	DWG. NO.	REV.	
A			
SCALE	WEIGHT	SHEET	
	670 LBS	1 of 2	



2

1

B

B

A

A