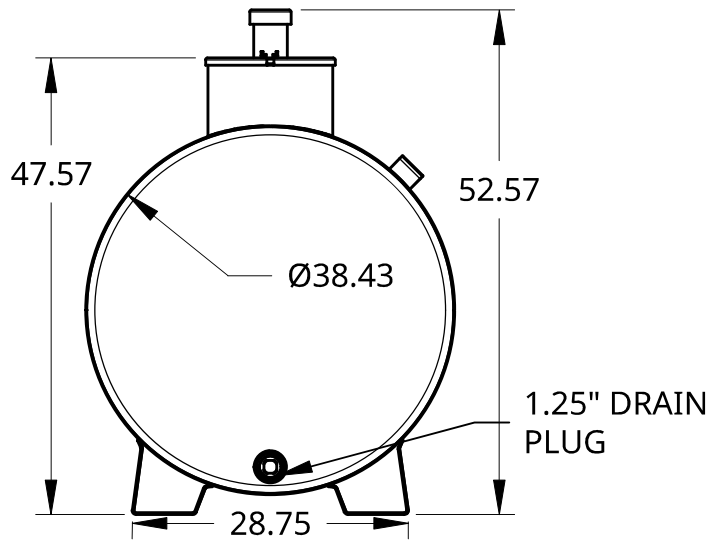
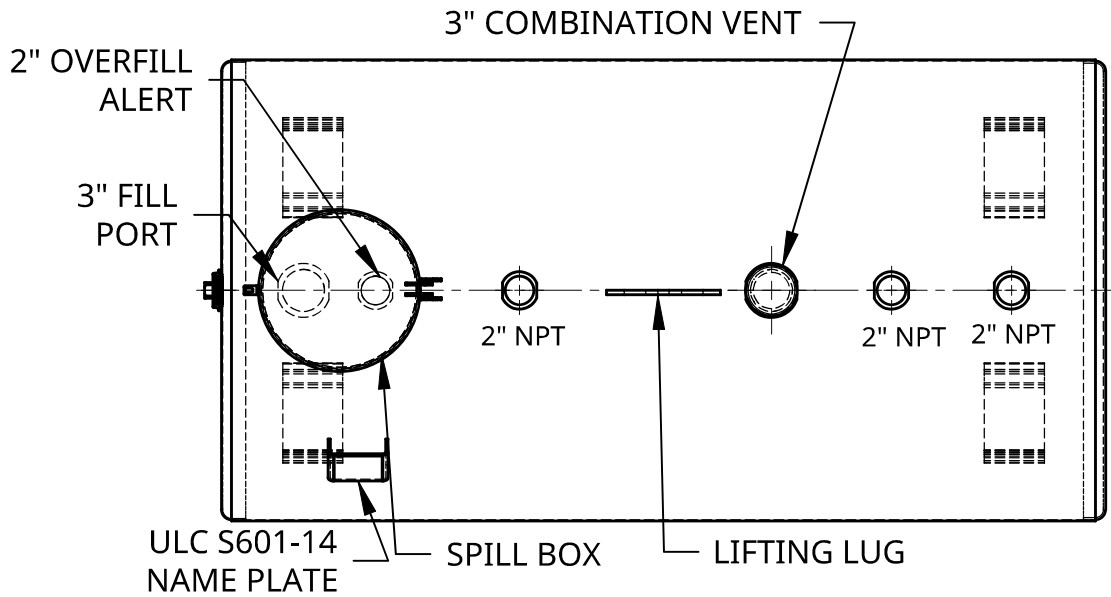


2

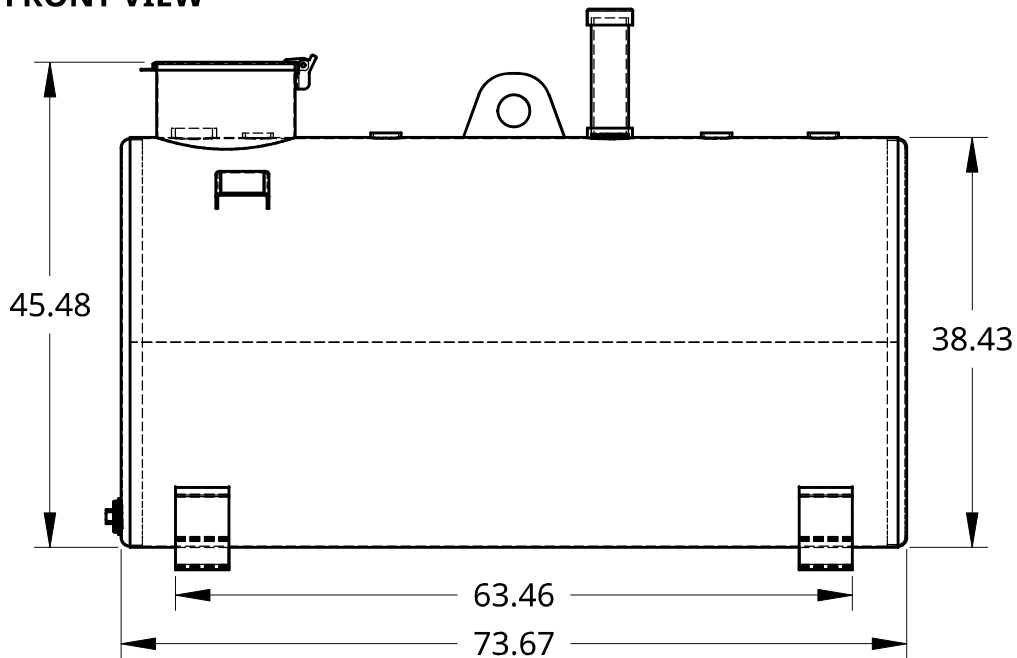
1



FRONT VIEW



TOP VIEW



SIDE VIEW

MATERIAL : CARBON STEEL
A1011 0.104" (2.64MM)

ALL DIMENSIONS ARE IN INCHES
TOLERANCES ±0.1 - ±0.5 IN.

TITLE			
300 GAL SINGLE WALL TANK 1340 LITER			
SIZE	DWG NO.	REV.	
A			
SCALE	WEIGHT	SHEET	
	384 LBS	1 of 2	



2

1

B

B

A

A