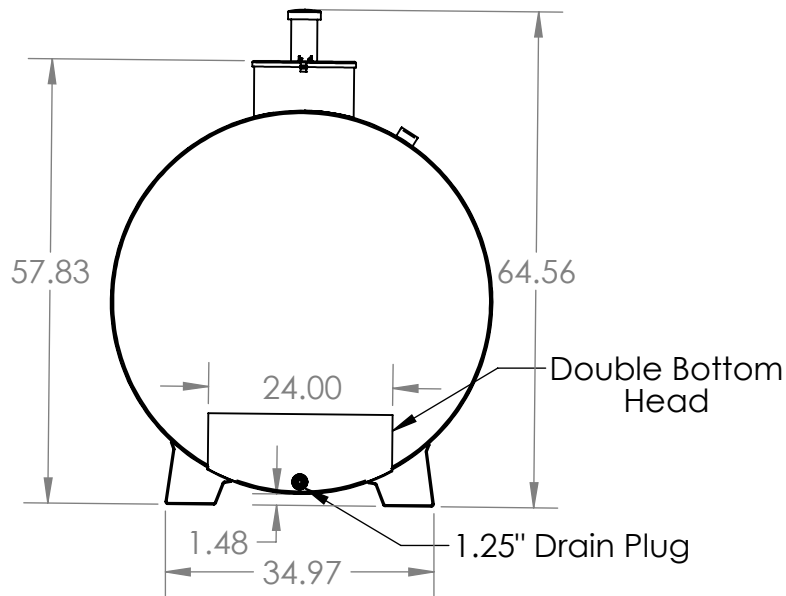
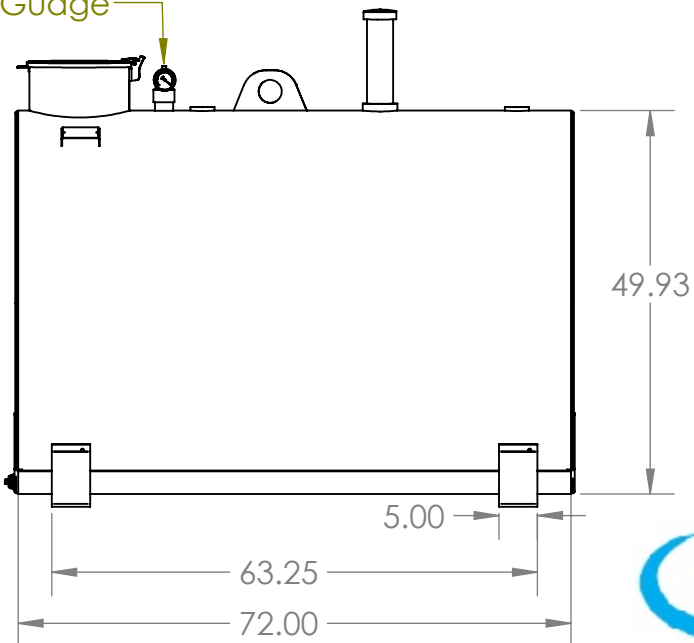


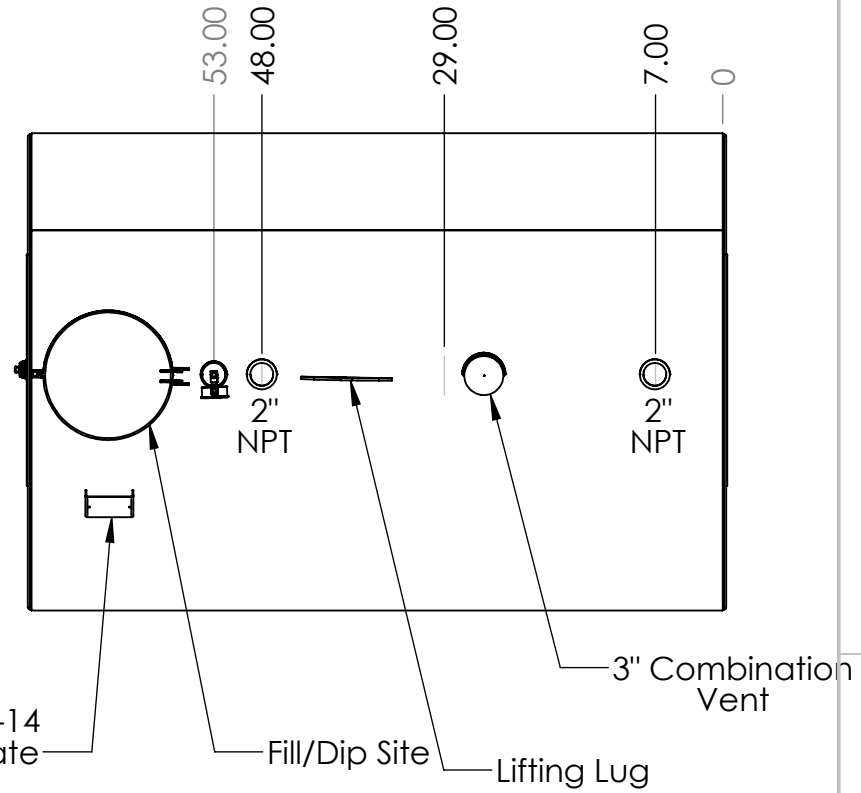
B



Double Bottom Vacuum Guage



1



B

A



All Dimensions Are In Inches

TITLE:

2200 Liter
Double Bottom Tank

SIZE

Weight:

A

580 LBS

REV

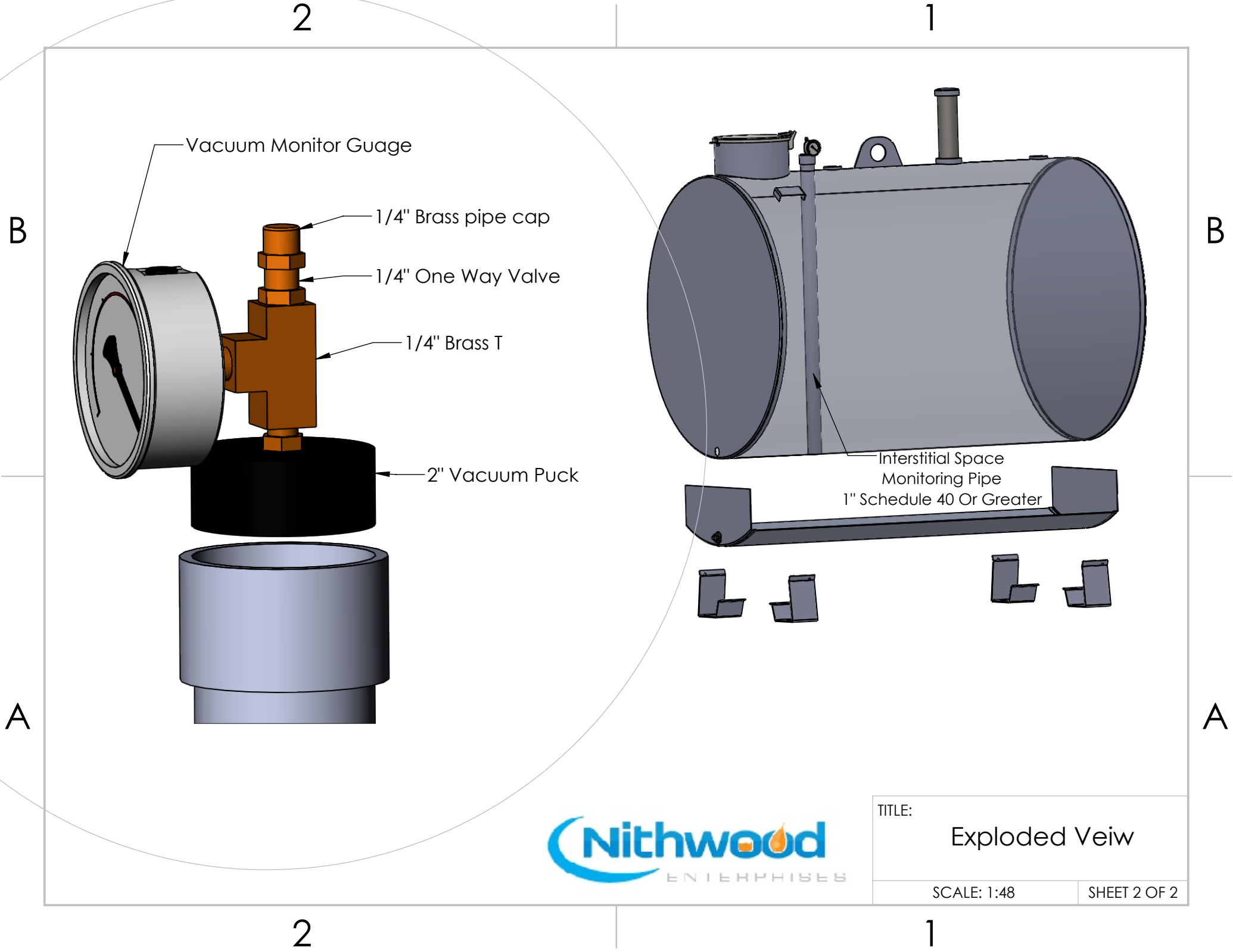
SCALE: 1:32

SHEET 1 OF 2

2

1

A



Vacuum Monitor Guage

1/4" Brass pipe cap

1/4" One Way Valve

1/4" Brass T

2" Vacuum Puck

Interstitial Space
Monitoring Pipe
1" Schedule 40 Or Greater



TITLE:
Exploded Veiw

SCALE: 1:48

SHEET 2 OF 2