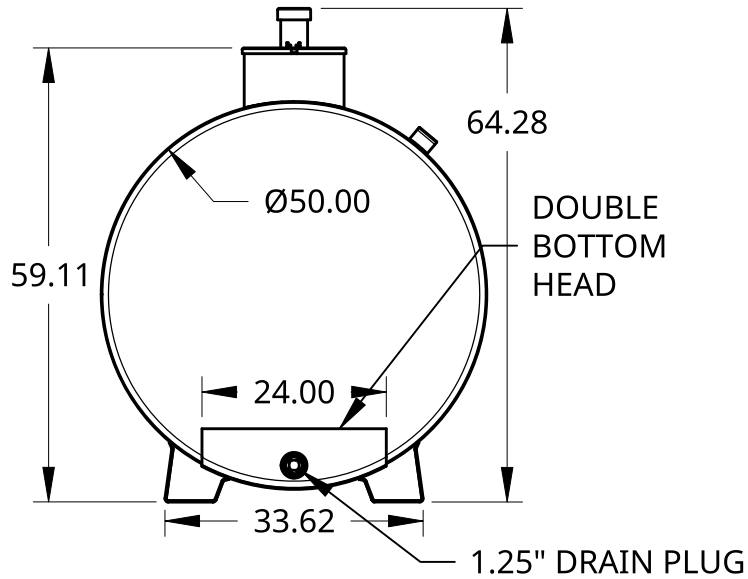
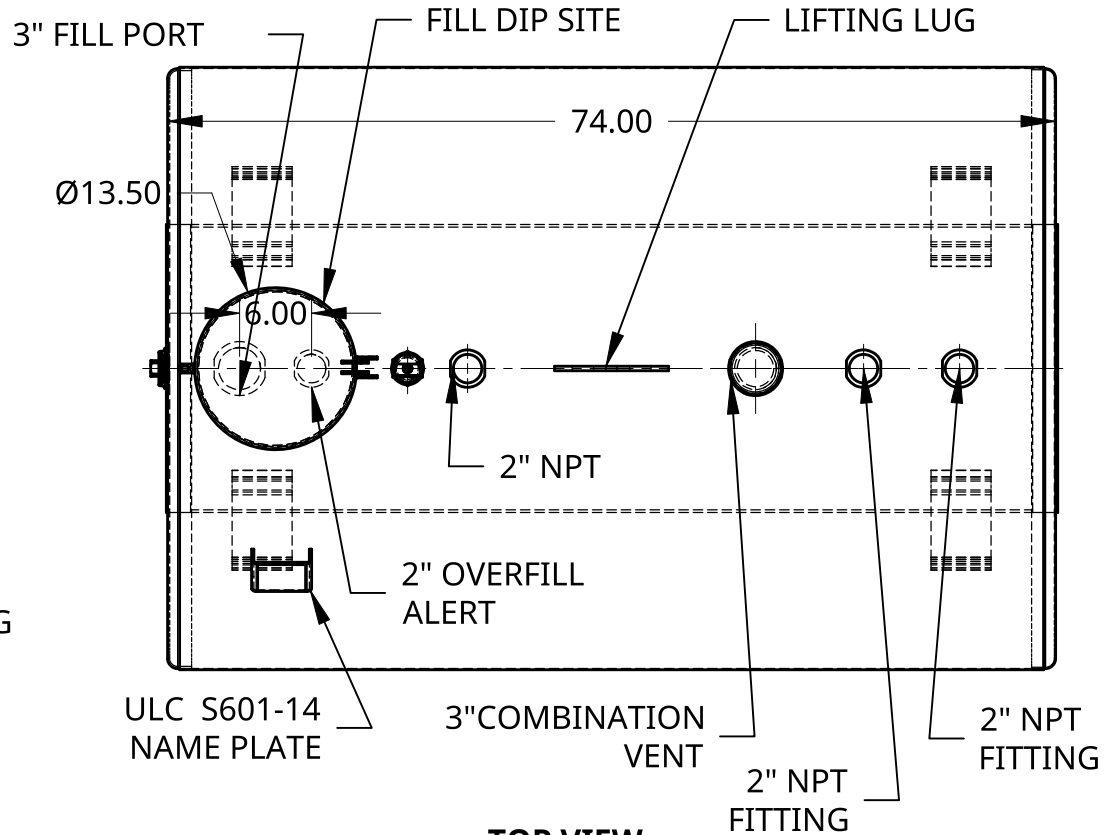


2

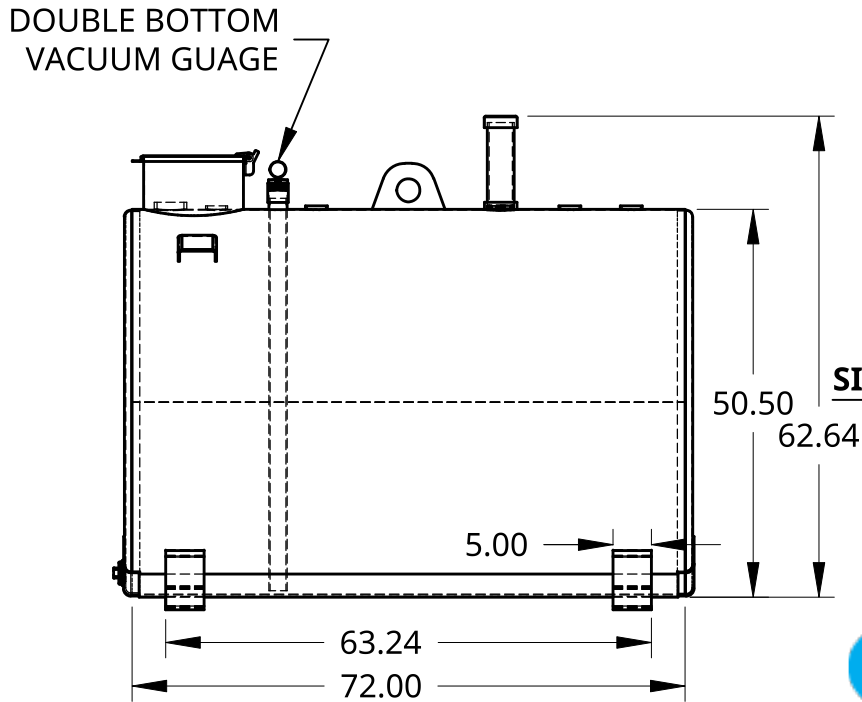
1



**FRONT VIEW**



**TOP VIEW**



**SIDE VIEW**

*MATERIAL : CARBON  
STEEL A1011 0.104"  
(2.64MM)*

ALL DIMENSIONS ARE IN INCHES  
TOLERANCES ±0.1 - ±0.5 IN.

TITLE  
**500 GAL DOUBLE BOTTOM TANK  
2200 LITER**

SIZE <b>A</b>	DWG. NO.	REV.
SCALE 1:32	WEIGHT <b>580 LBS</b>	SHEET <b>1 of 3</b>



2

1

B

B

A

A