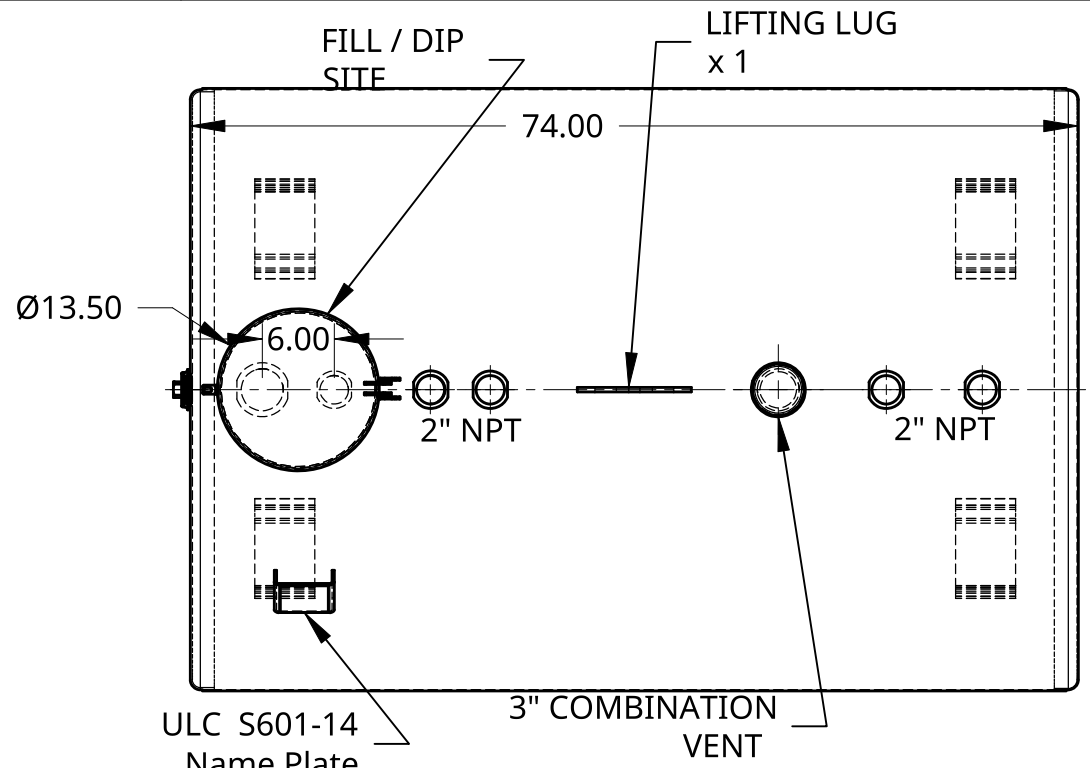
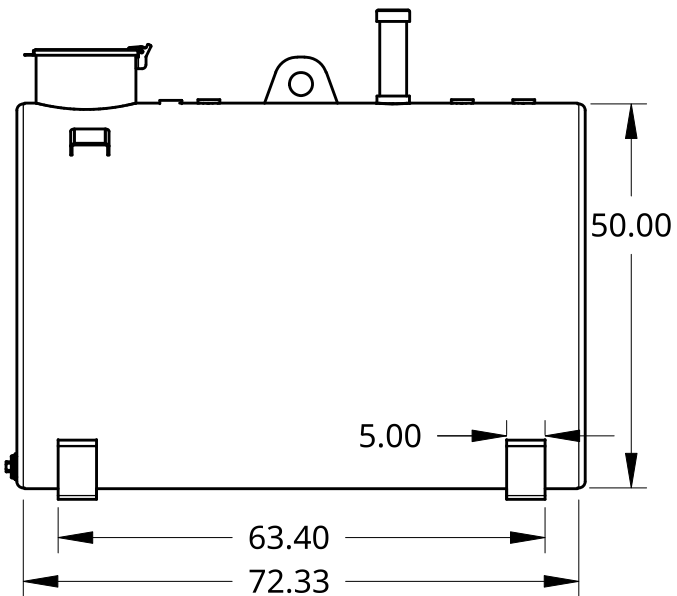


FRONT VIEW



TOP VIEW



SIDE VIEW

*MATERIAL : CARBON
STEEL A1011 0.104"
(2.64MM)*

ALL DIMENSIONS ARE IN INCHES
TOLERANCES ±0.1 - ±0.5 IN.

TITLE			
500 GAL SINGLE WALL TANK 2200 LITER			
SIZE	A		REV.
SCALE	1:40	WEIGHT	580 LBS
		SHEET	1 of 1

