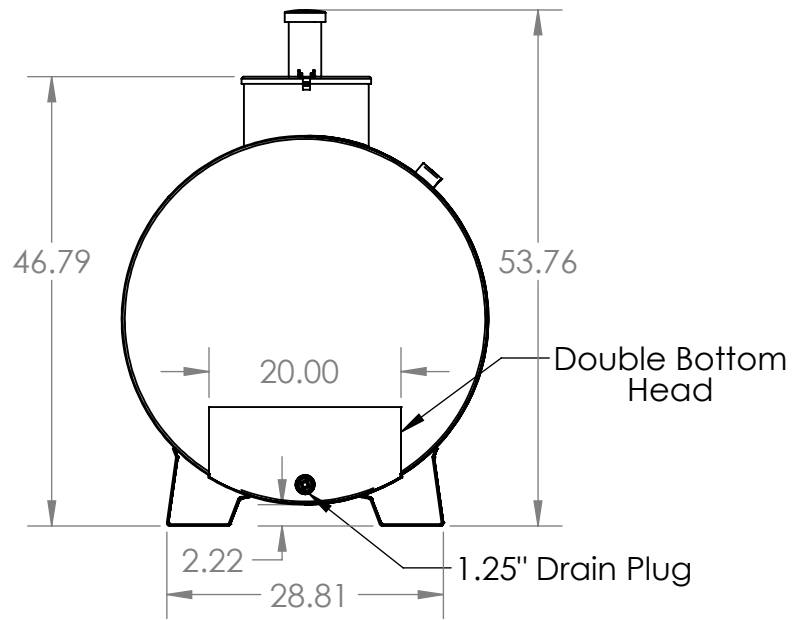
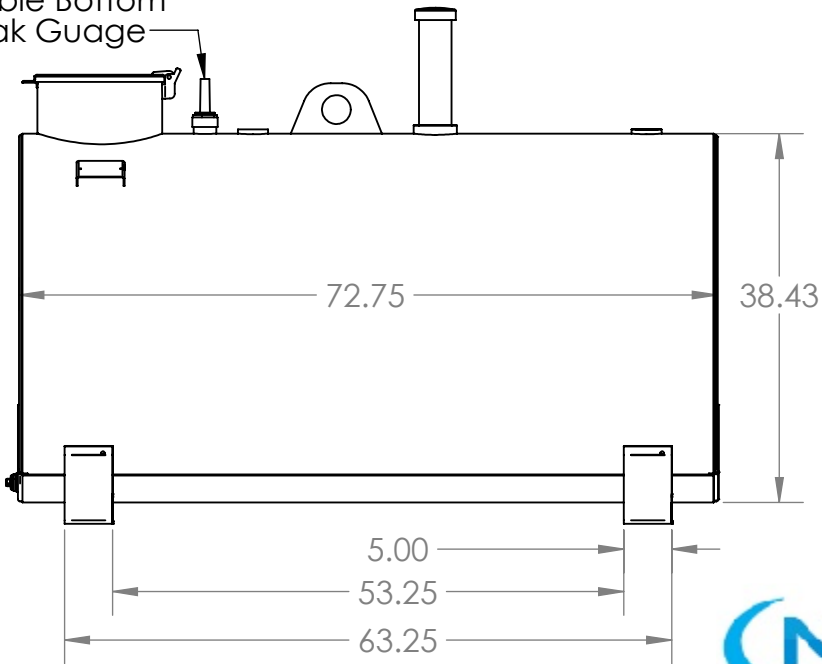


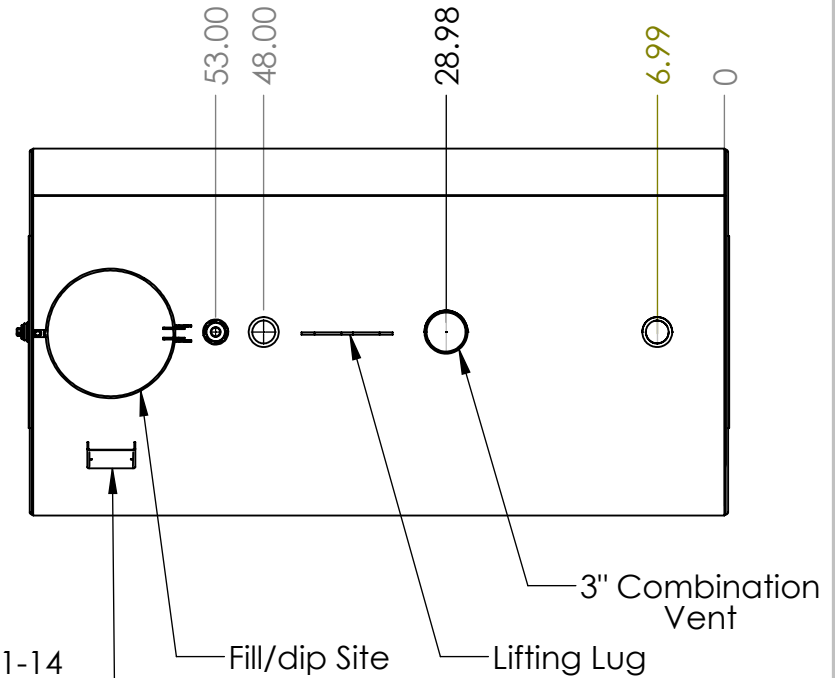
B



Double Bottom Leak Guage



1



B

A



All Dimensions Are In Inches

TITLE:

1350 Liter
Double Bottom Tank

SIZE

Weight:

REV

A

446 LBS

SCALE: 1:32

SHEET 1 OF 2

2

1

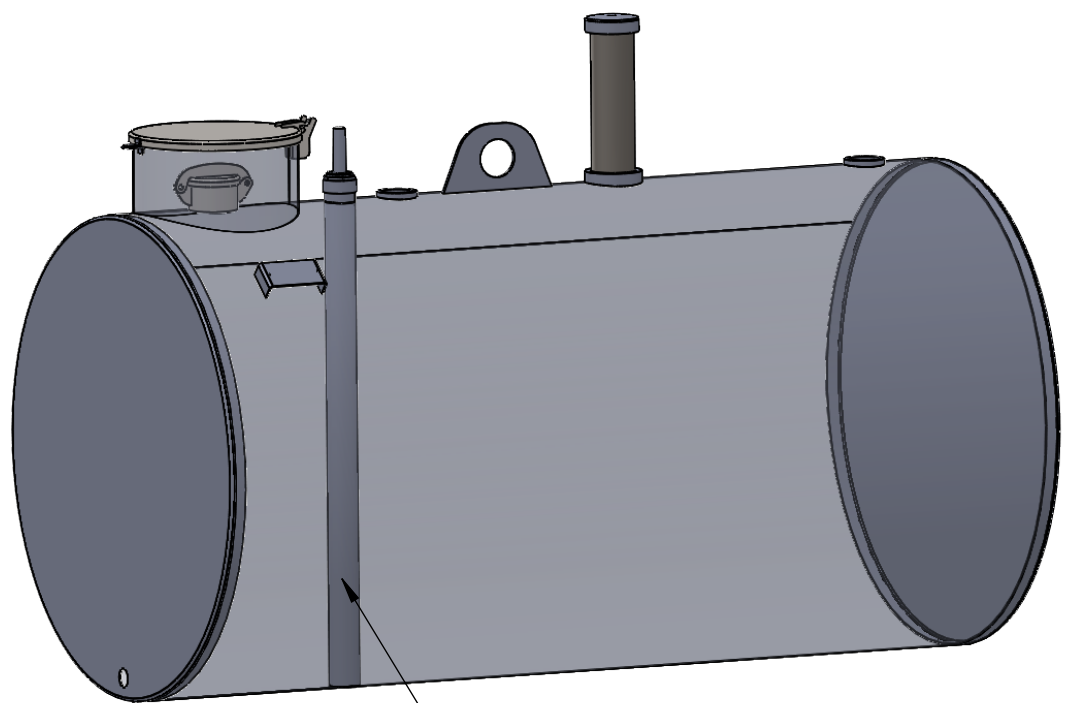
A

2

1

B

B



Interstitial Space
Monitoring Pipe

A

A



TITLE:		
Exploded Veiw		
SCALE: 1:32	WEIGHT:	SHEET 2 OF 2

2

1