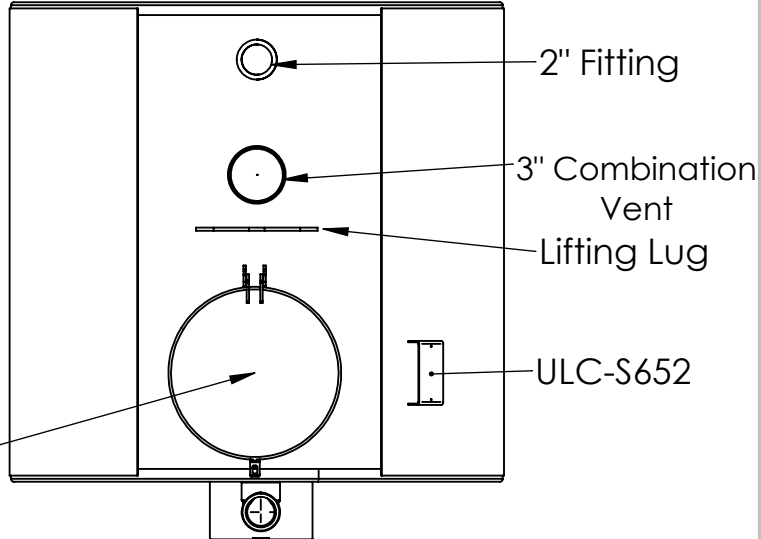
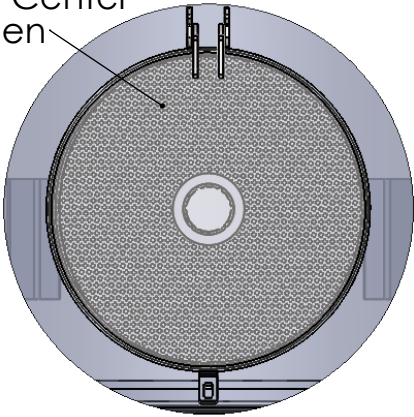
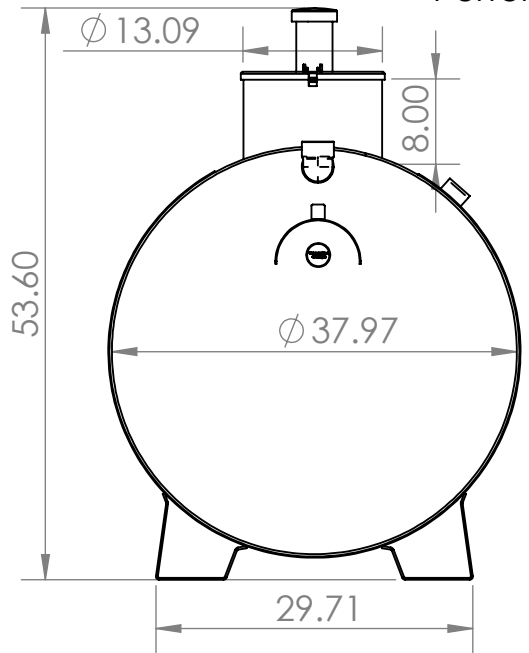


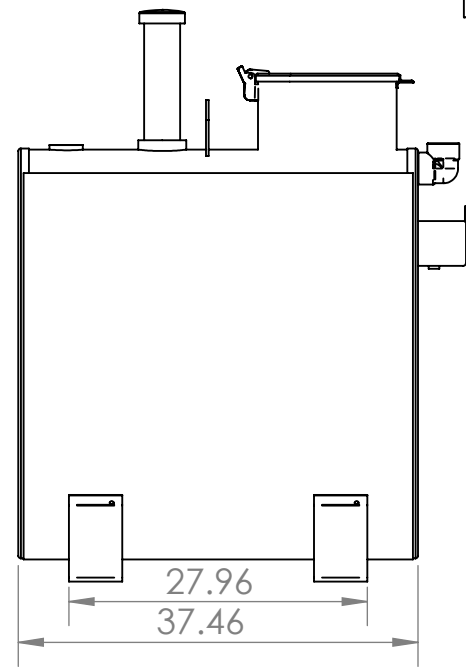
2

1

3/16 Diameter
5/16 Staggered Center
Perforated Screen



Cut Out Veiw

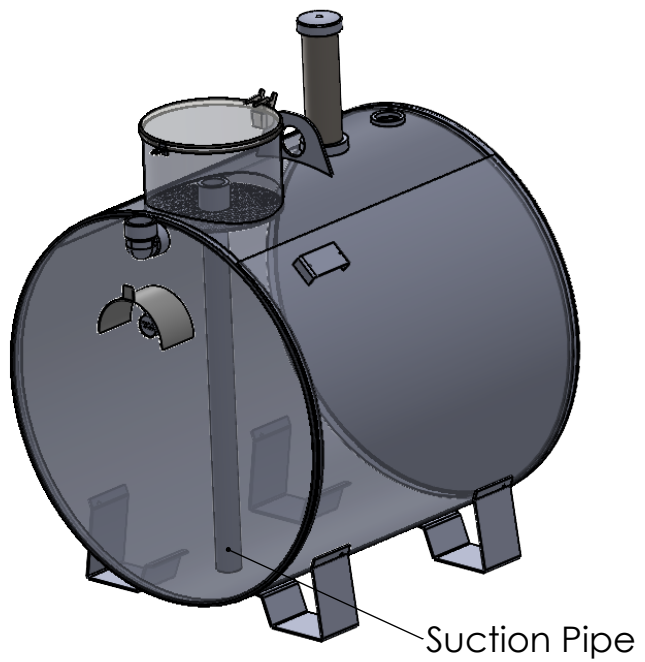


B

B

A

A



Suction Pipe



ULC-S652		
TITLE: 150 Gal DW Used Oil Tank		
SIZE A	DWG. NO.	REV
SCALE: 1:24 WEIGHT:		SHEET 1 OF 1

2

1