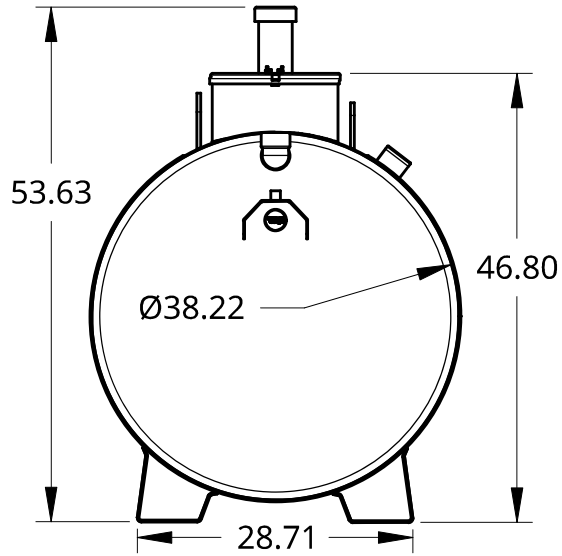


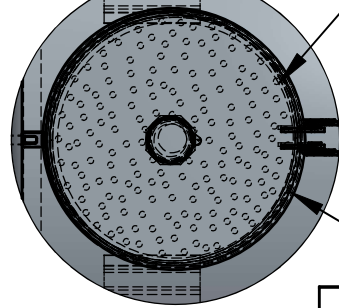
2

1

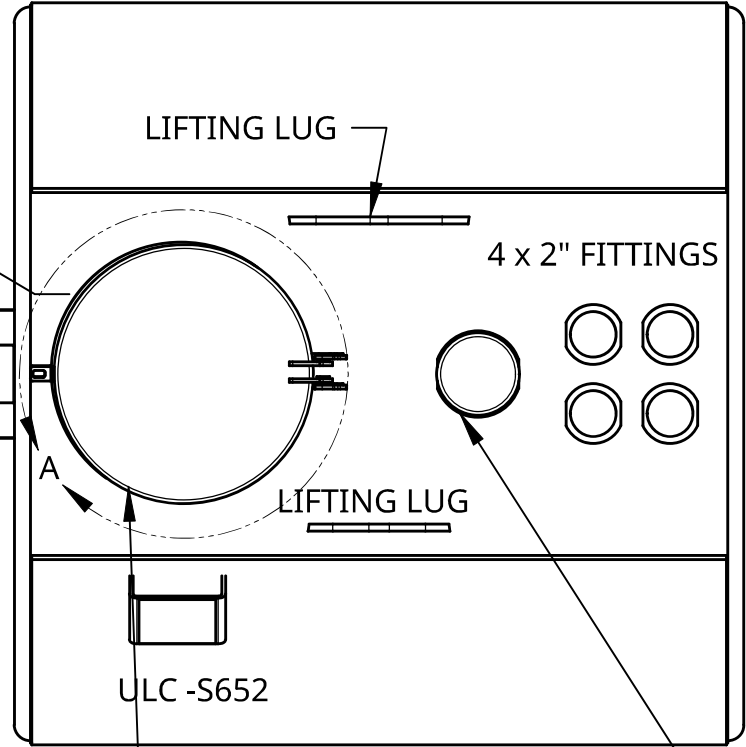


FRONT VIEW

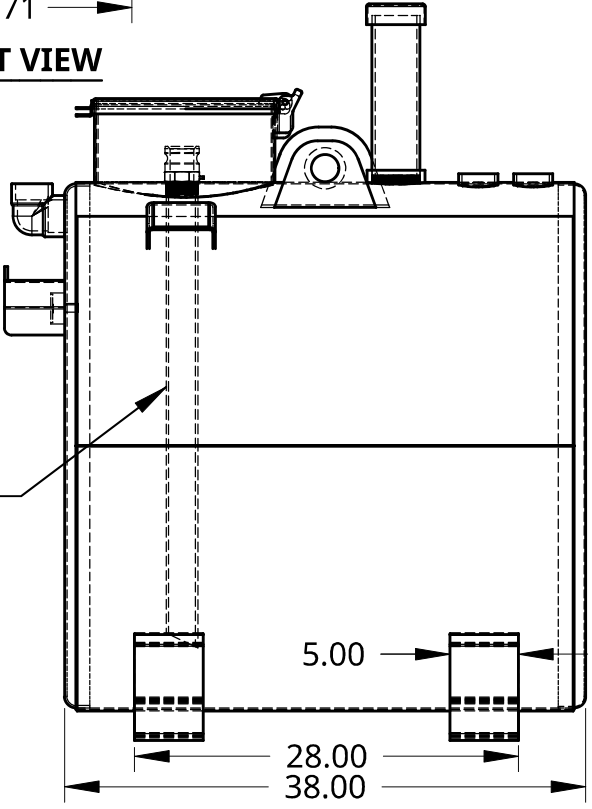
PERFORATED SCREEN



DETAIL A
SCALE 1:10



TOP VIEW



SIDE VIEW

SPILL BOX

3" COMBINATION VENT

MATERIAL : CARBON
STEEL A1011 0.104"
(2.64MM)

ALL DIMENSIONS ARE IN INCHES
TOLERANCES ±0.1 - ±0.5 IN.

**150 GAL DOUBLE WALL TANK
WASTE OIL - 670 LITRES**



TITLE			
150 GAL DOUBLE WALL TANK WASTE OIL - 670 LITRES			
SIZE	DWG NO.	REV.	
A			
SCALE	WEIGHT	SHEET	
	370 LBS	1 of 2	

2

1

B

B

A

A