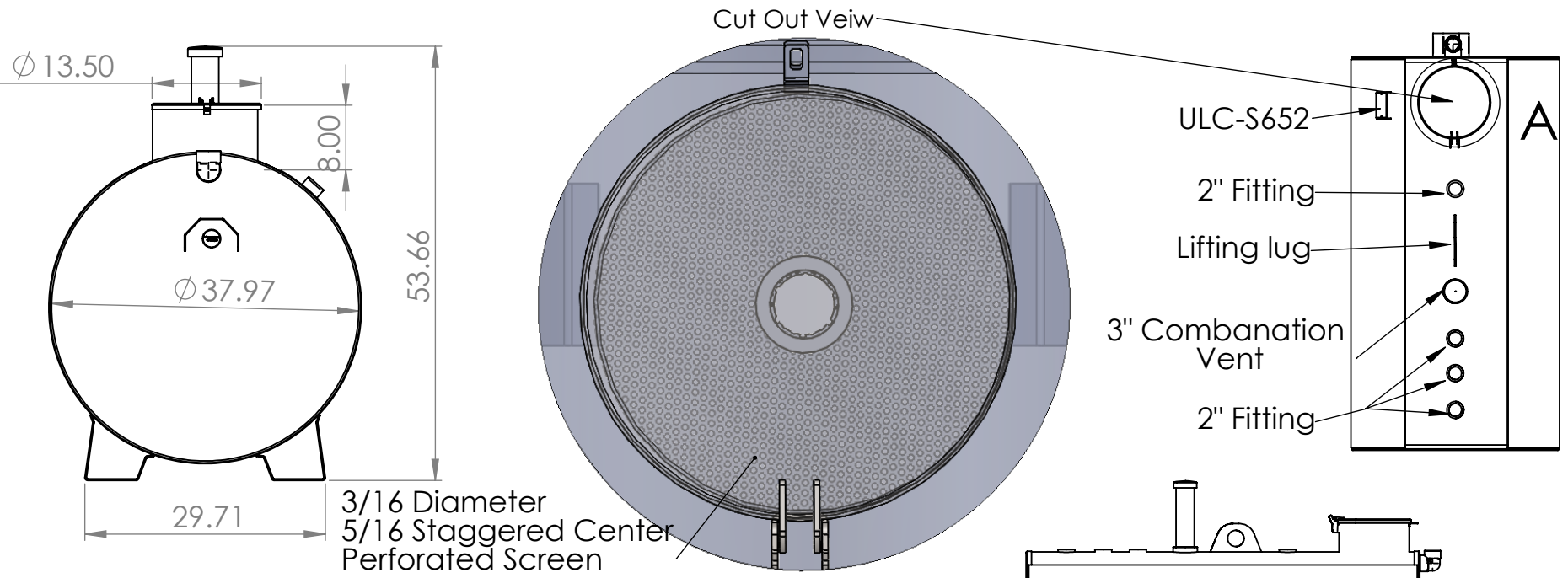


2

1

B

B

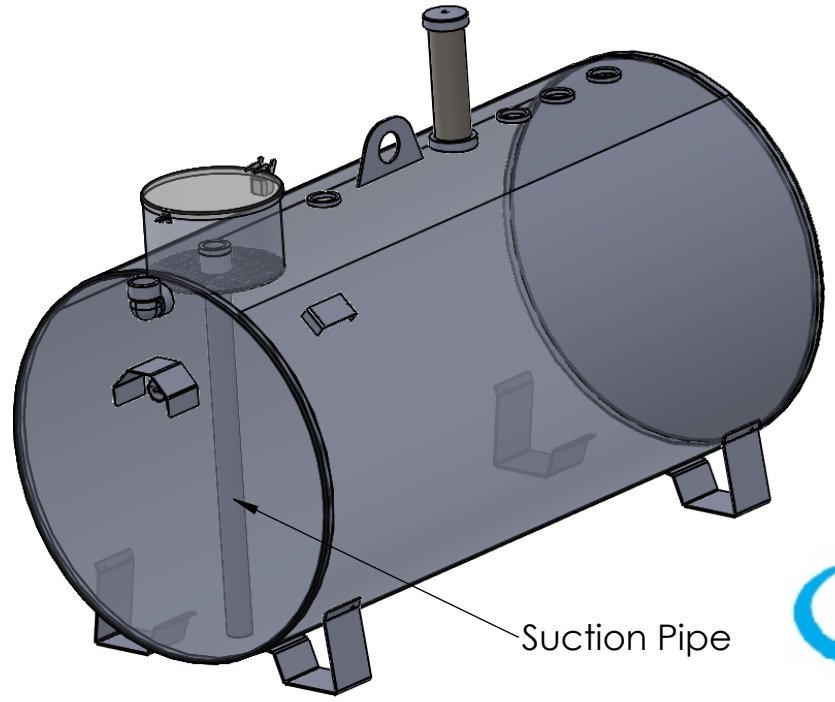


3/16 Diameter  
5/16 Staggered Center  
Perforated Screen

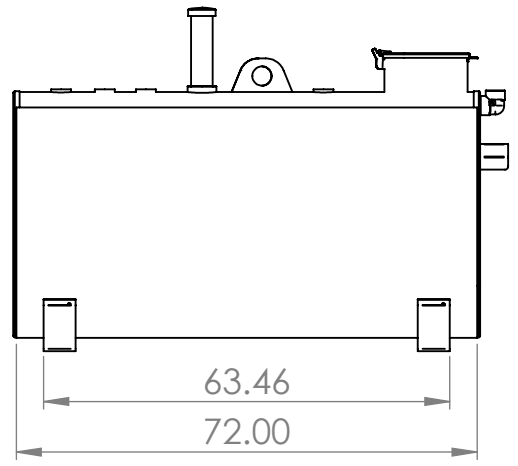
3" Combination  
Vent

A

A



Suction Pipe



ULC-S652		
TITLE:		
300 DW Used Oil Tank		
SIZE	DWG. NO.	REV
<b>A</b>		
SCALE: 1:50		WEIGHT:
		SHEET 1 OF 1

2

1