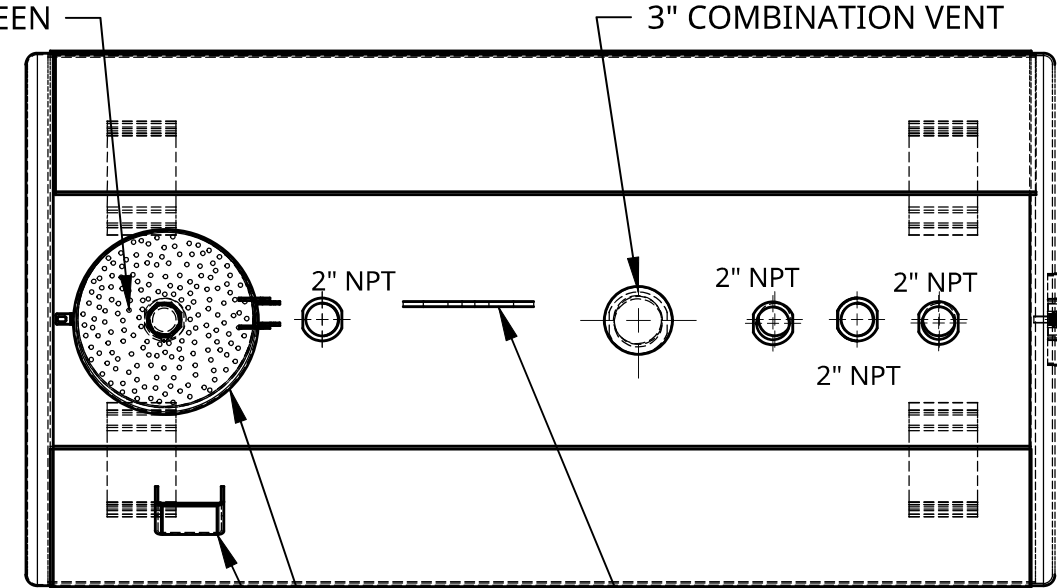
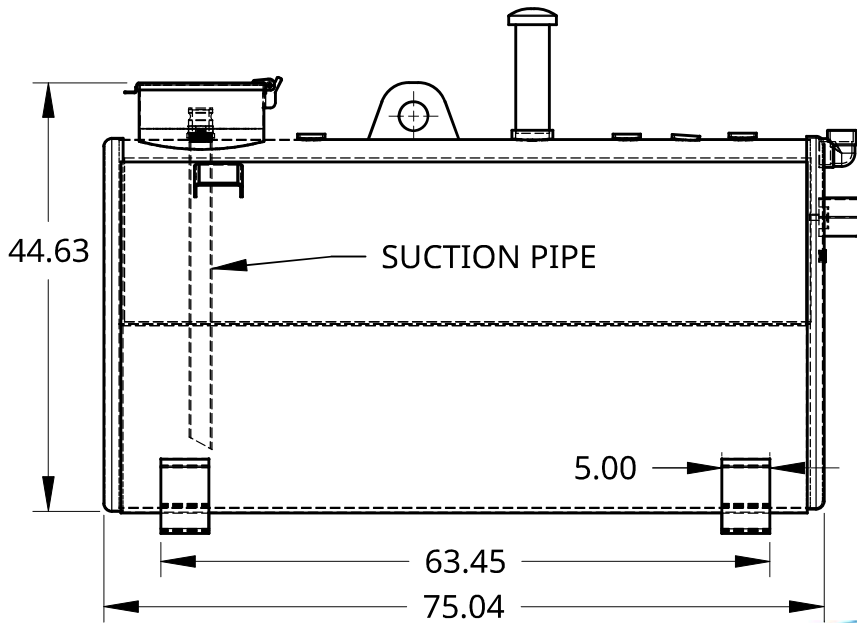


**FRONT VIEW**



**TOP VIEW**



**SIDE VIEW**

*MATERIAL : CARBON STEEL  
A1011 0.104" (2.64MM)*

ALL DIMENSIONS ARE IN INCHES  
TOLERANCES ±0.1 - ±0.5 IN.

TITLE  
**300 GAL DW WASTE OIL TANK  
1340 LITRES**

SIZE <b>A</b>	DWG. NO.	REV.
SCALE	WEIGHT <b>670 LBS</b>	SHEET 1 of 3

