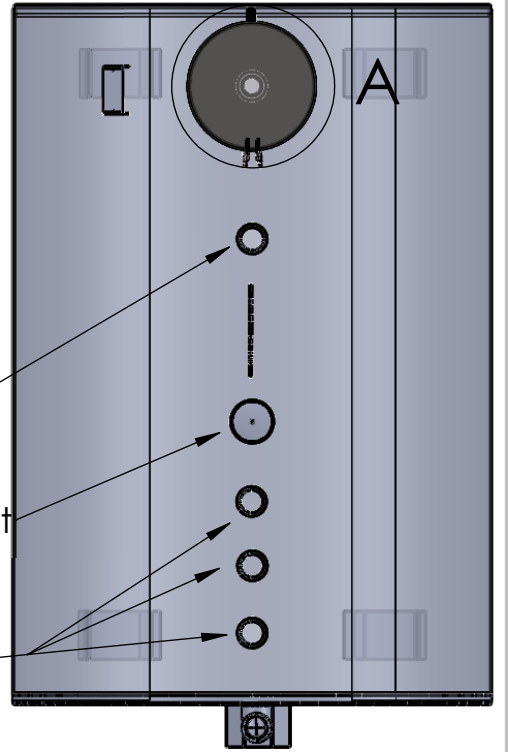
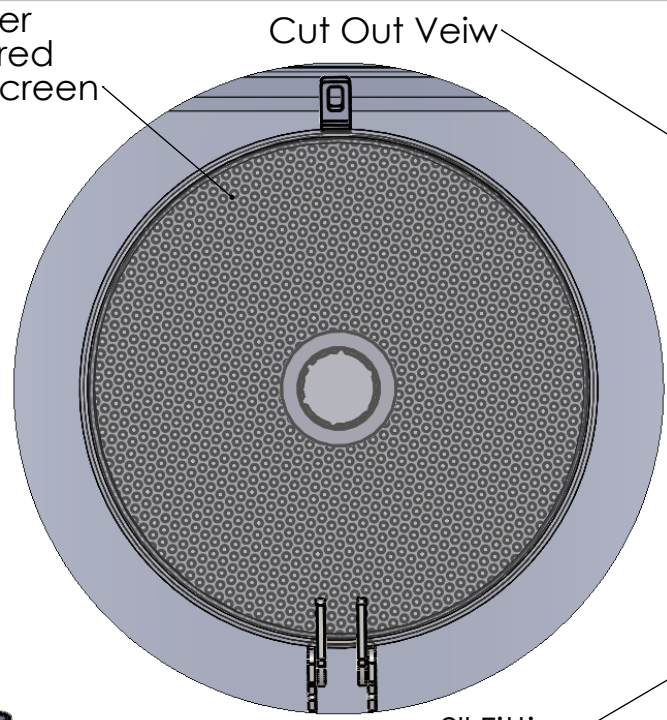
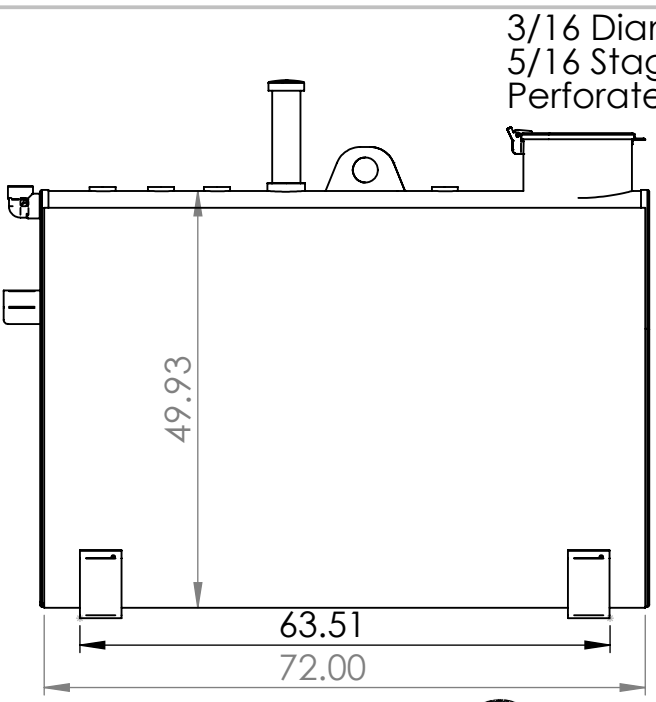


2

1

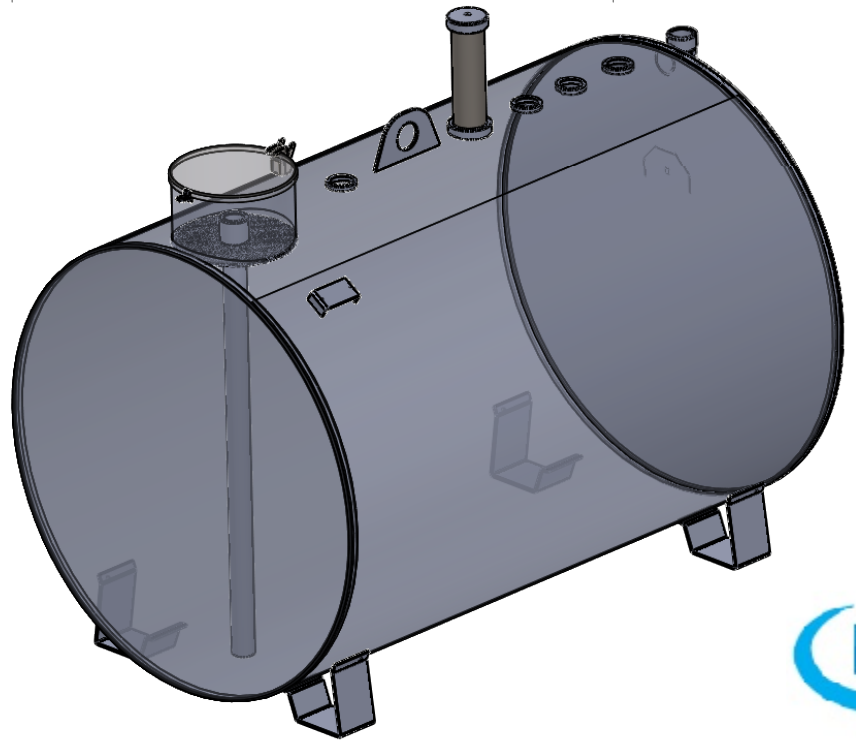
B

B



A

A



All Dimensions Are In Inches

TITLE:  
**500 DW  
Used Oil Tank**



SIZE	DWG. NO.	REV
<b>A</b>		
SCALE: 1:50		WEIGHT:
		SHEET 1 OF 1

2

1