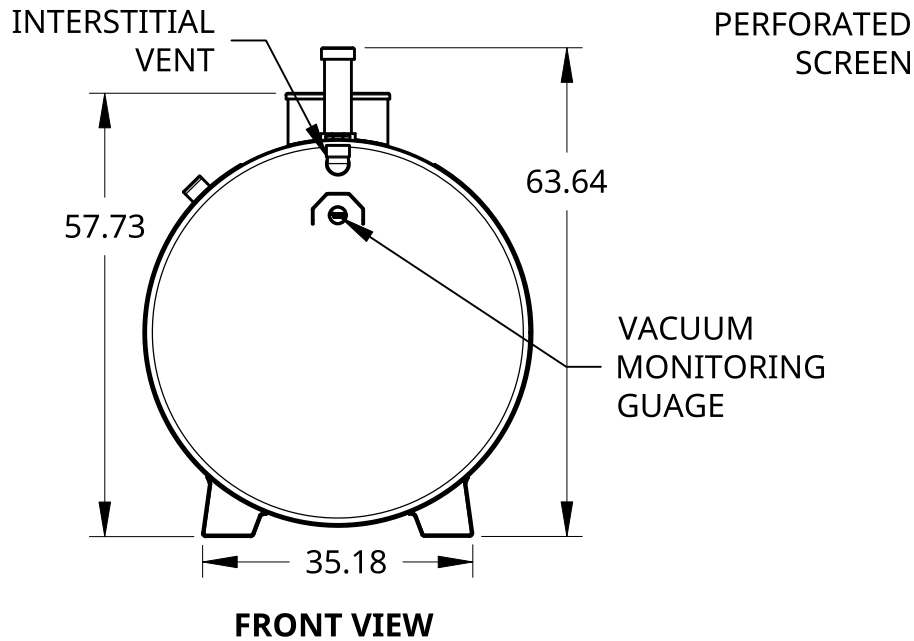


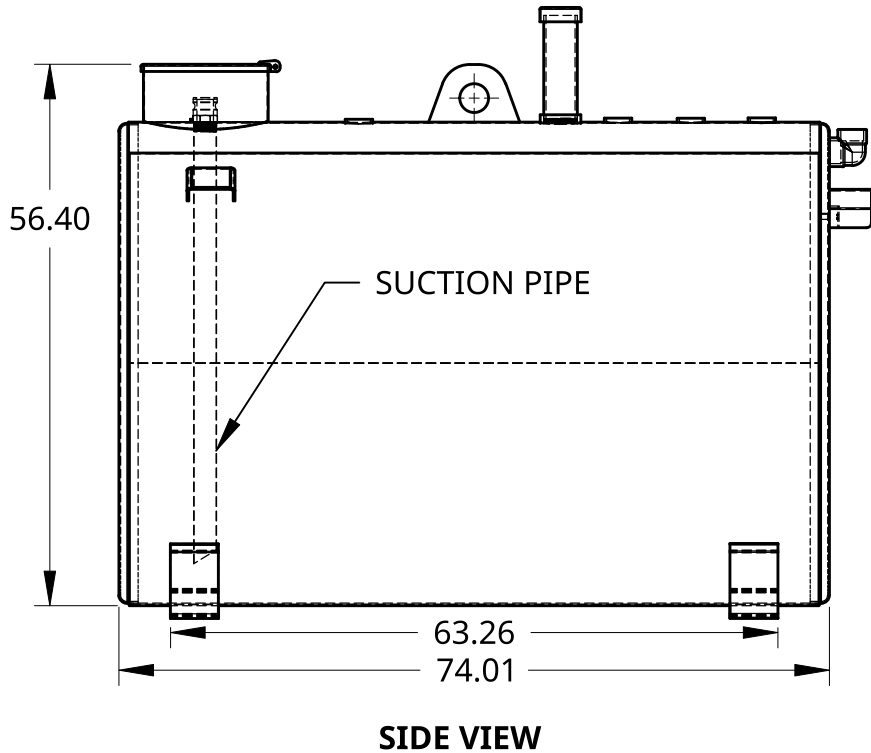
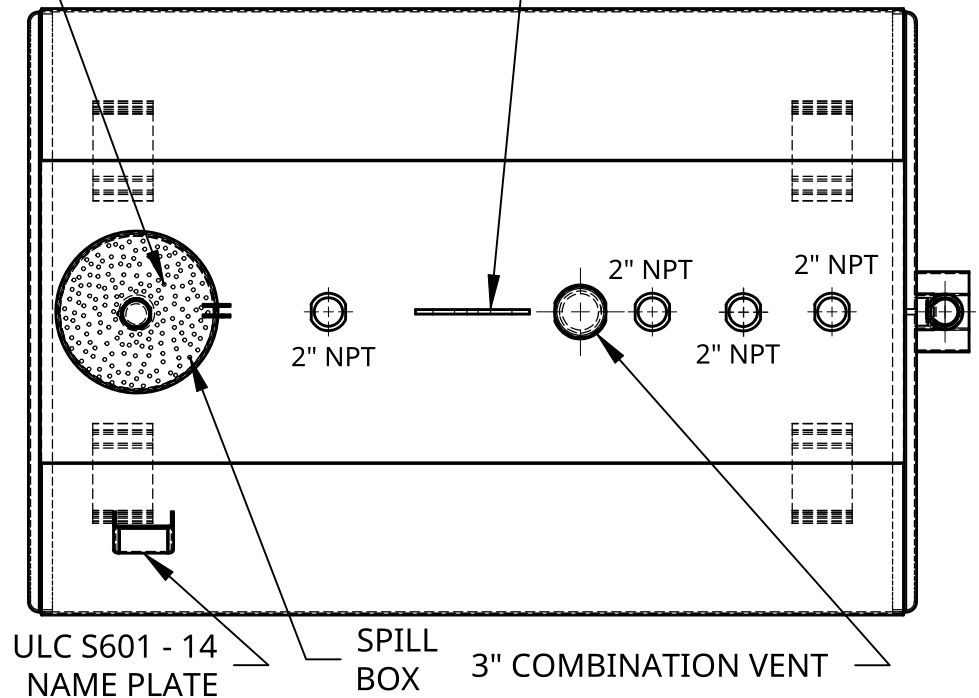
2

1



PERFORATED SCREEN

LIFTING LUG



MATERIAL : CARBON STEEL
A1011 0.104" (2.64MM)

ALL DIMENSIONS ARE IN INCHES
TOLERANCES ±0.1 - ±0.5 IN.

TITLE			
500 GAL DW WASTE OIL TANK 2200 LITRES			
SIZE	DWG NO.	REV.	
A			
SCALE	WEIGHT	SHEET	
	930 LBS	1 of 1	



2

1