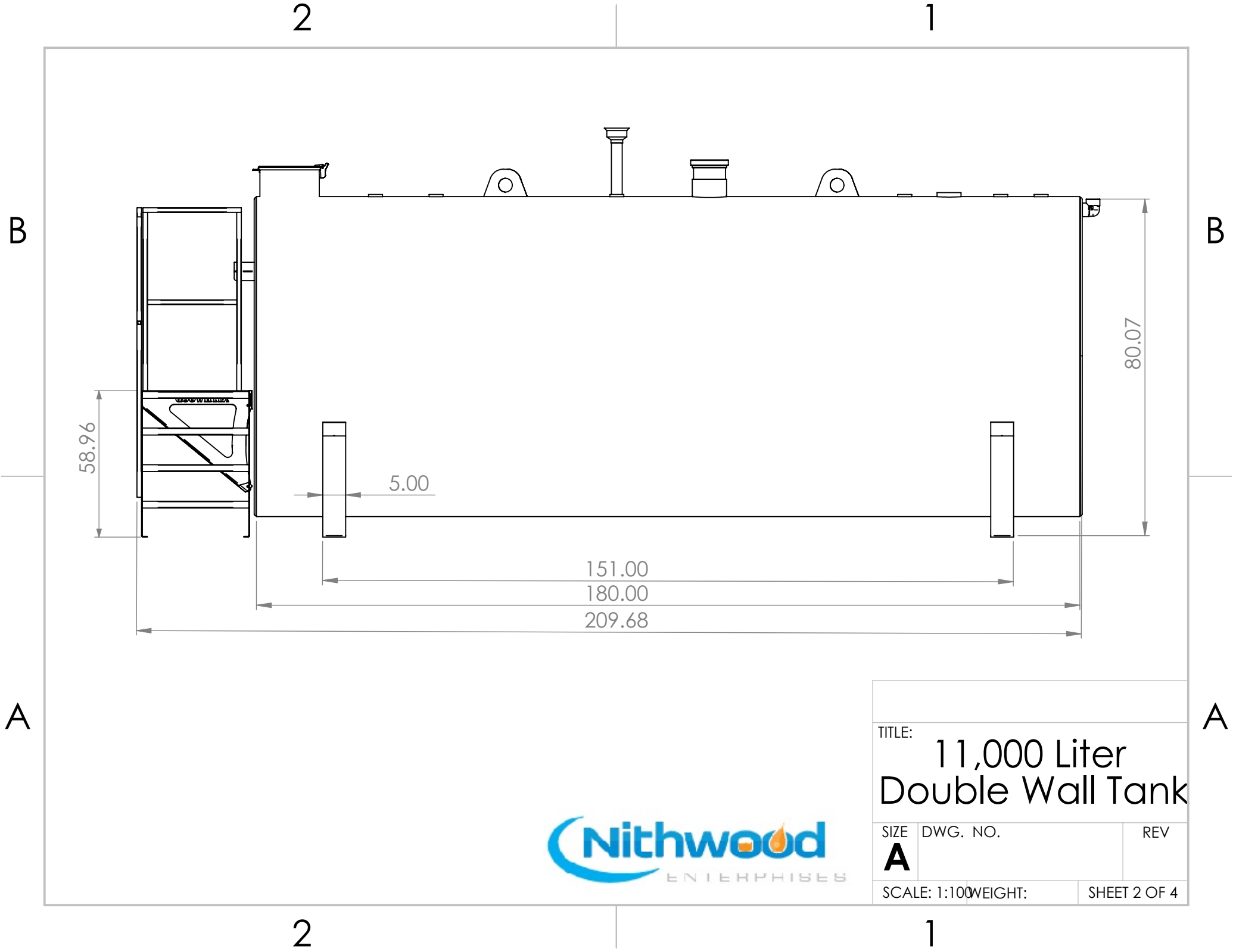


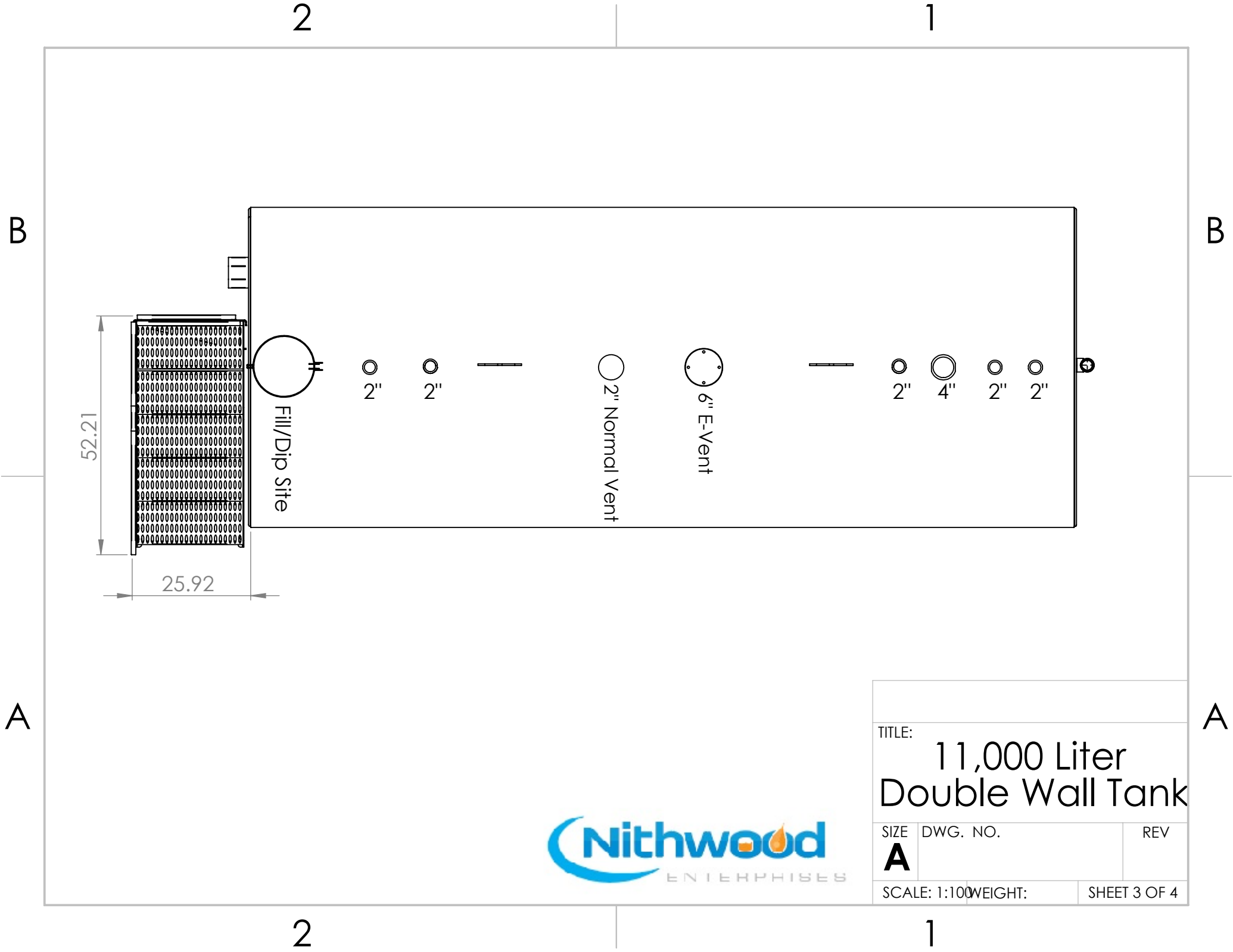
TITLE: 11,000 Liter Double Wall Tank		
SIZE <b>A</b>	DWG. NO.	REV
SCALE: 1:100	WEIGHT:	SHEET 1 OF 4



TITLE: 11,000 Liter Double Wall Tank

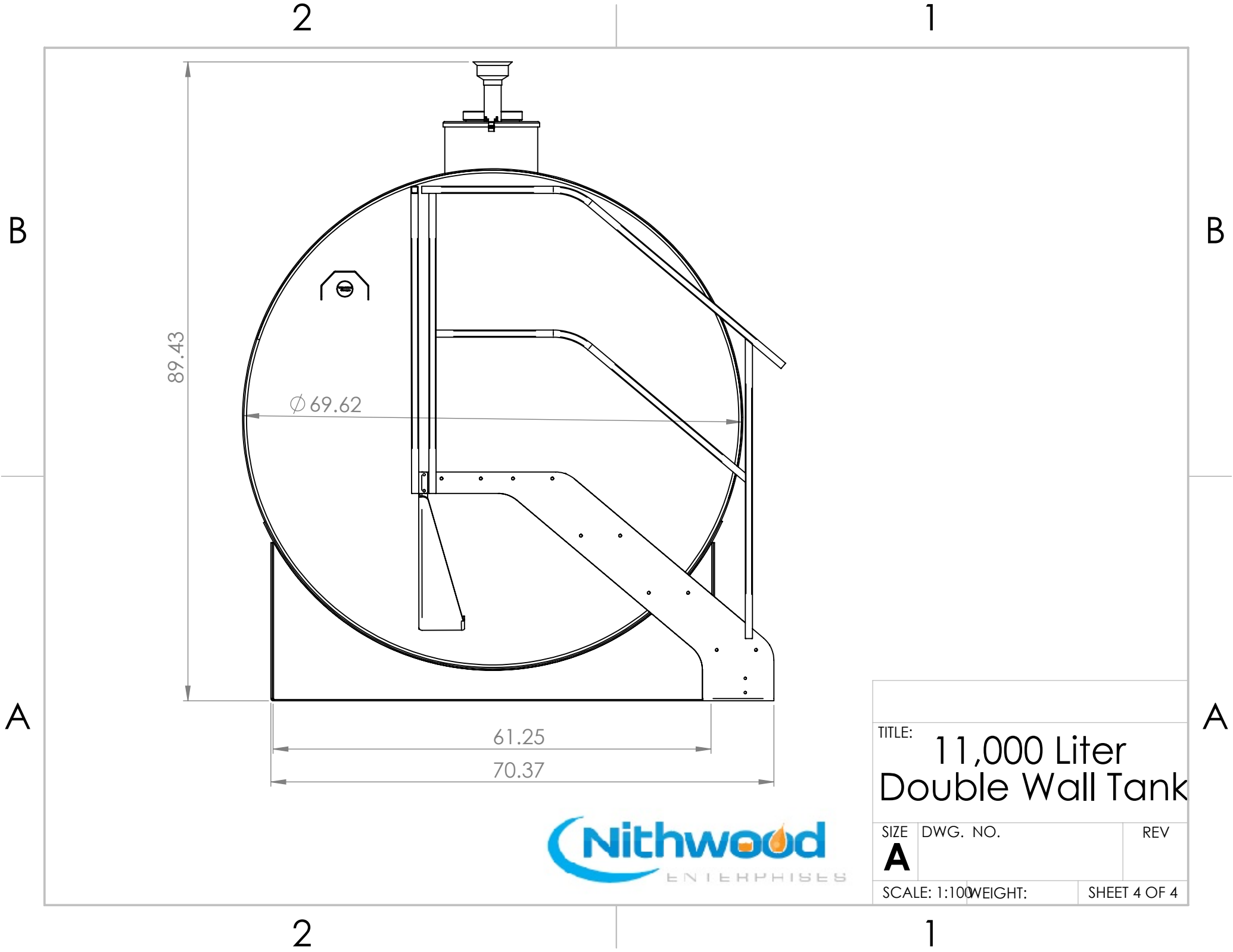
SIZE	DWG. NO.	REV
<b>A</b>		
SCALE: 1:100		WEIGHT:
		SHEET 2 OF 4





TITLE:  
**11,000 Liter  
 Double Wall Tank**

SIZE	DWG. NO.	REV
<b>A</b>		
SCALE: 1:100		WEIGHT:
		SHEET 3 OF 4



89.43

$\phi 69.62$

61.25

70.37



TITLE: 11,000 Liter  
Double Wall Tank

SIZE	DWG. NO.	REV
<b>A</b>		
SCALE: 1:100		WEIGHT:
		SHEET 4 OF 4